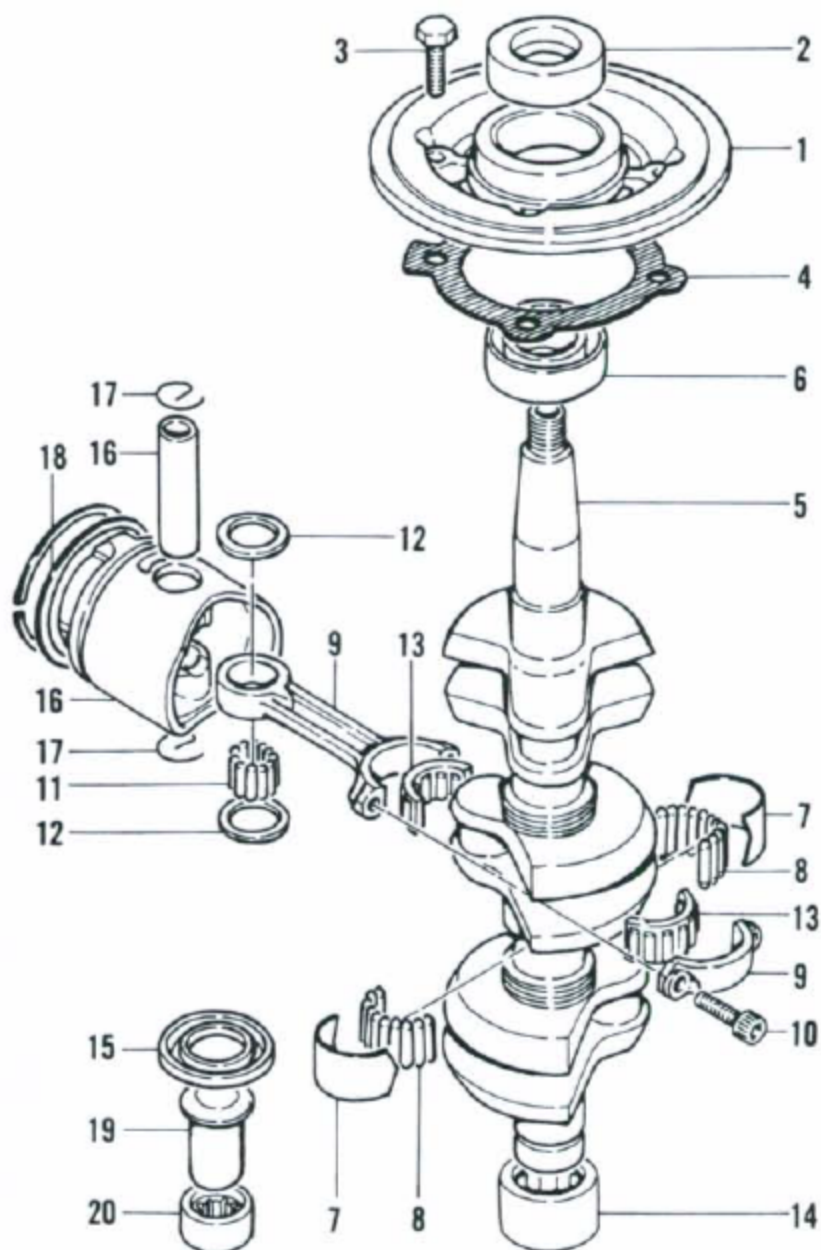


CRANKSHAFT ASSEMBLY (25 HP 3-CYLINDER)

- | | |
|------------------------------------|-----------------------------|
| 1. Upper bearing cage | 11. Bearing roller set |
| 2. Seal | 12. Thrust bearing |
| 3. Screw | 13. Bearing halves |
| 4. Gasket | 14. Lower main bearing |
| 5. Crankshaft | 15. Seal |
| 6. Upper main ball bearing | 16. Piston and pin assembly |
| 7. Center main bearing liner | 17. Lock ring |
| 8. Main bearing roller set | 18. Piston rings |
| 9. Connecting rod and cap assembly | 19. Drive shaft spline seal |
| 10. Screw | 20. Seal retainer |