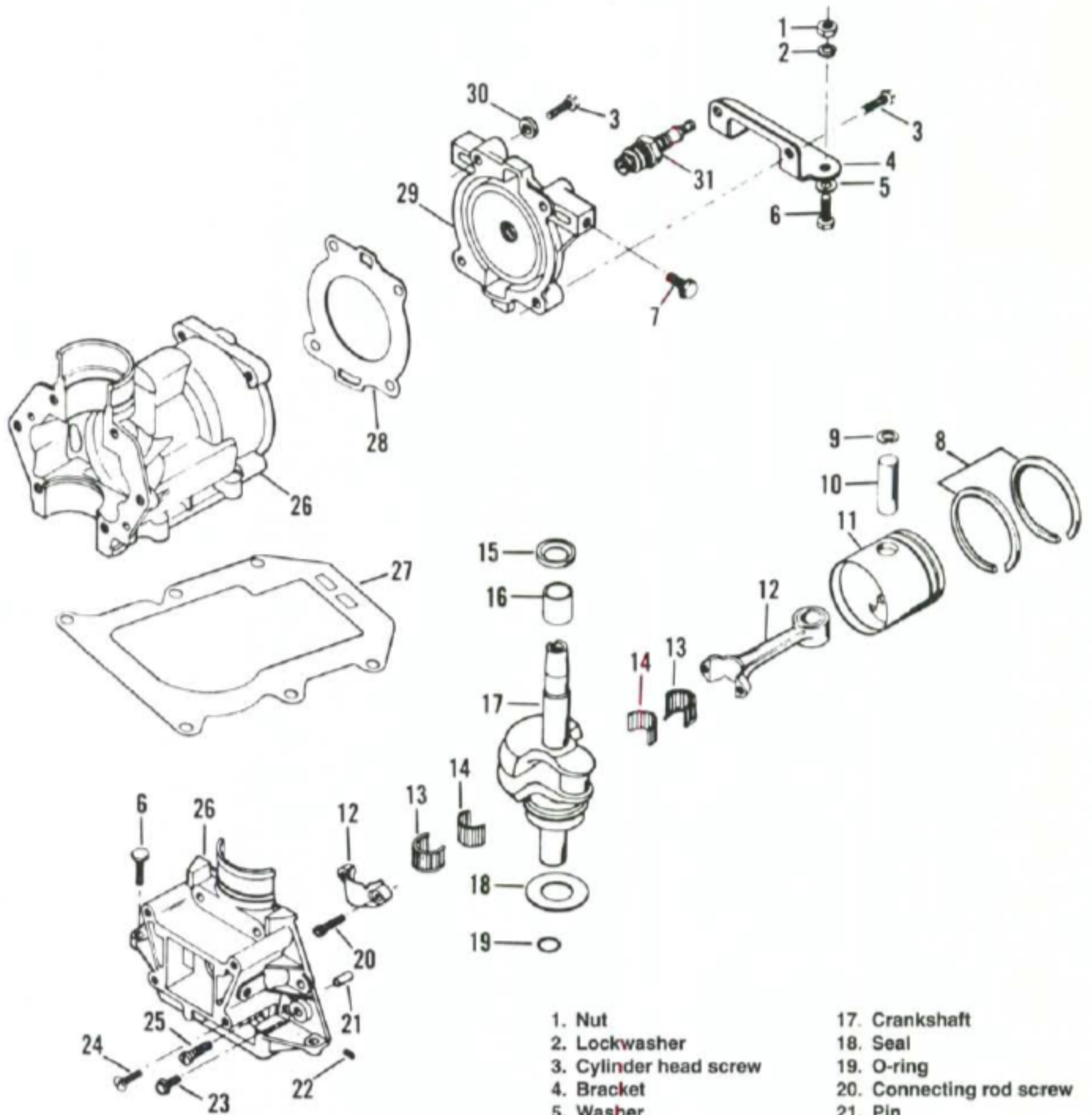


## POWER HEAD (4 AND 5 HP)



- |                        |   |
|------------------------|---|
| 1. Nut                 | 17. Crankshaft                            |
| 2. Lockwasher          | 18. Seal                                  |
| 3. Cylinder head screw | 19. O-ring                                |
| 4. Bracket             | 20. Connecting rod screw                  |
| 5. Washer              | 21. Pin                                   |
| 6. Screw               | 22. Pipe plug                             |
| 7. Screw               | 23. Screw                                 |
| 8. Piston ring         | 24. Short screw                           |
| 9. Retaining ring      | 25. Long screw                            |
| 10. Piston pin         | 26. Cylinder and crankcase cover assembly |
| 11. Piston             | 27. Exhaust gasket                        |
| 12. Connecting rod     | 28. Cylinder head gasket                  |
| 13. Cage               | 29. Cylinder head                         |
| 14. Roller bearings    | 30. Spacer                                |
| 15. Seal               | 31. Spark plug                            |
| 16. Bearing            |   |