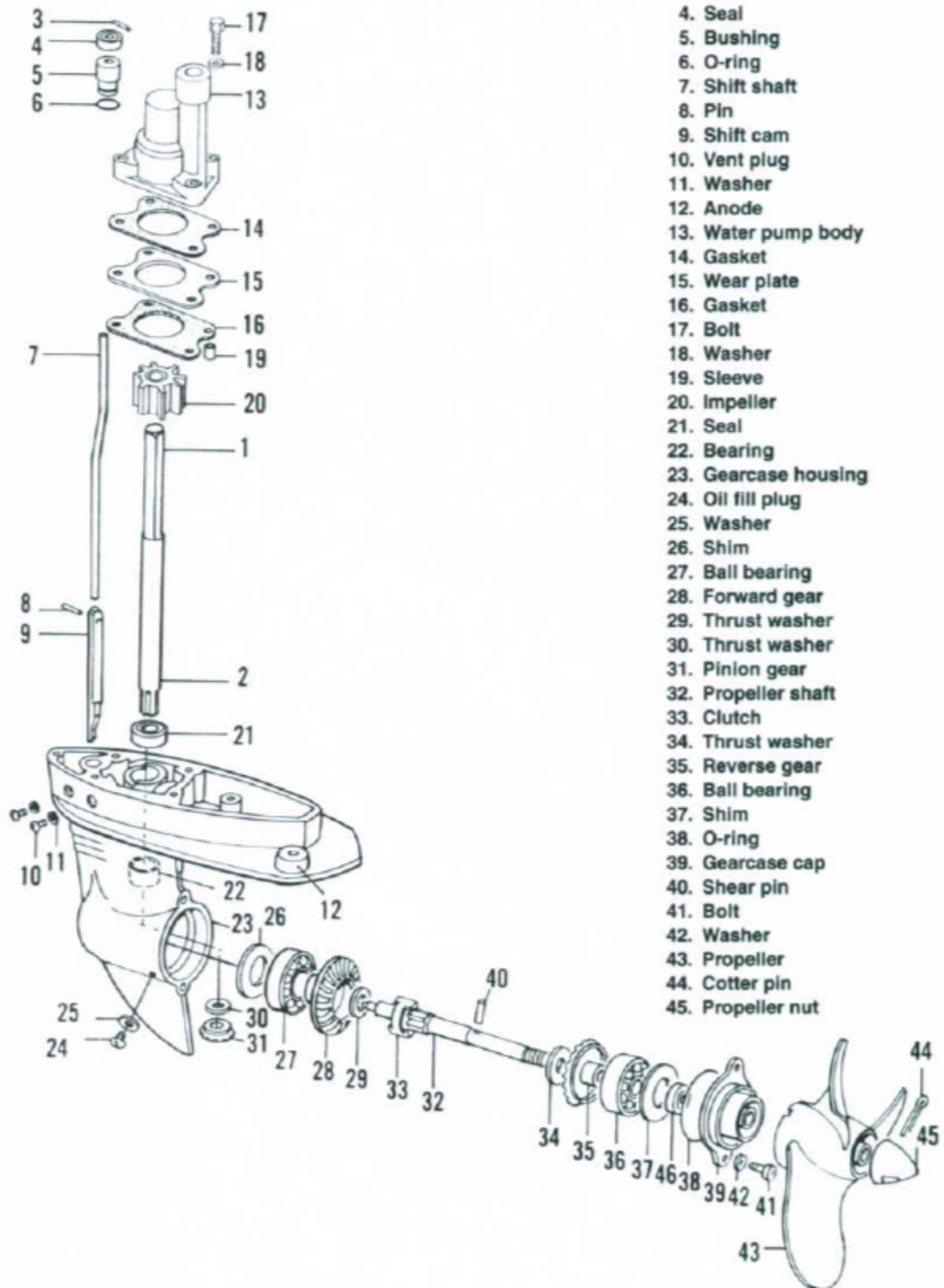


GEARCASE COMPONENTS (MODELS BF50 AND BF5A)



1. Drive shaft (square connection)
2. Drive shaft (splined connection)
3. Pin
4. Seal
5. Bushing
6. O-ring
7. Shift shaft
8. Pin
9. Shift cam
10. Vent plug
11. Washer
12. Anode
13. Water pump body
14. Gasket
15. Wear plate
16. Gasket
17. Bolt
18. Washer
19. Sleeve
20. Impeller
21. Seal
22. Bearing
23. Gearcase housing
24. Oil fill plug
25. Washer
26. Shim
27. Ball bearing
28. Forward gear
29. Thrust washer
30. Thrust washer
31. Pinion gear
32. Propeller shaft
33. Clutch
34. Thrust washer
35. Reverse gear
36. Ball bearing
37. Shim
38. O-ring
39. Gearcase cap
40. Shear pin
41. Bolt
42. Washer
43. Propeller
44. Cotter pin
45. Propeller nut