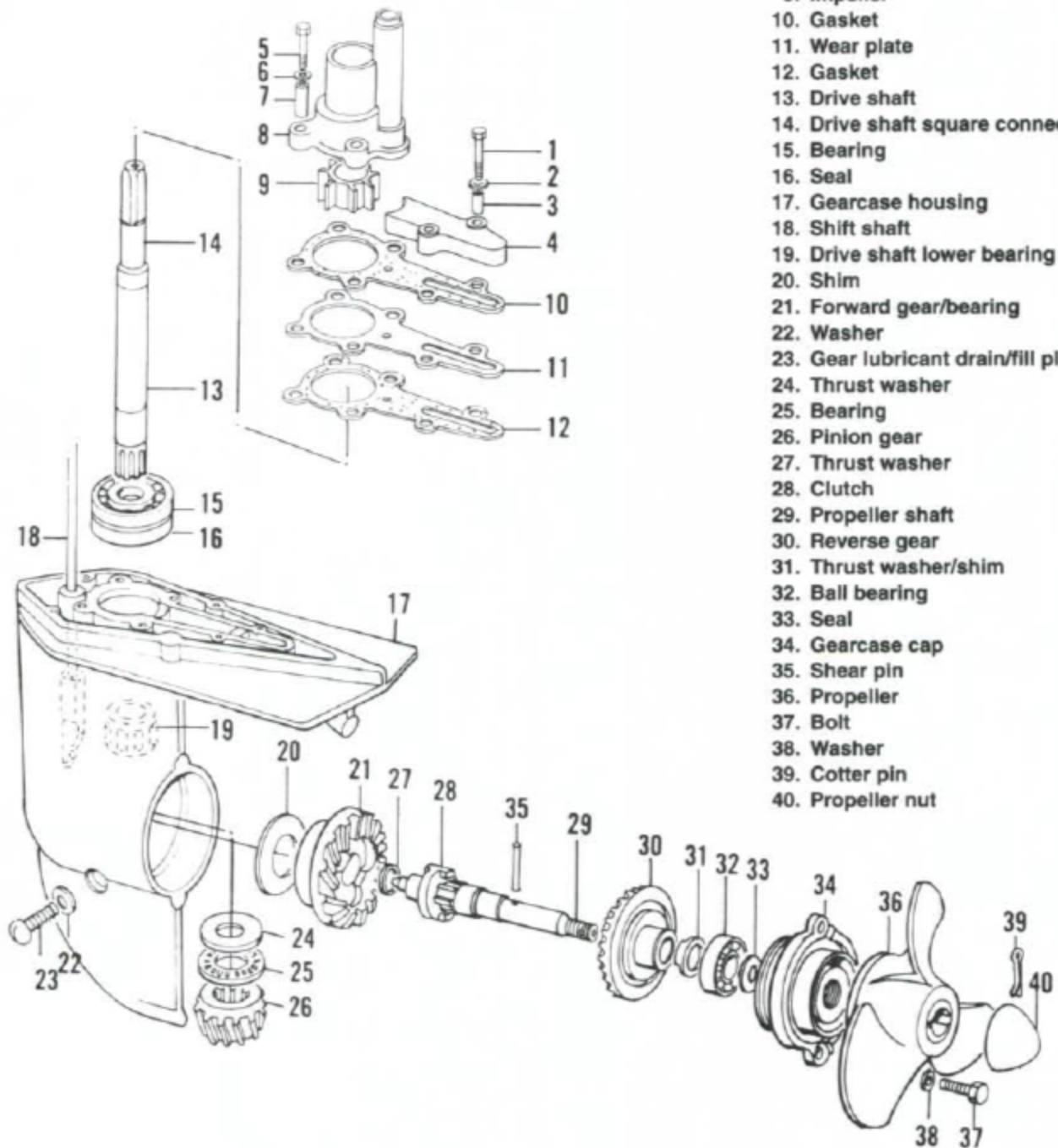


GEARCASE COMPONENTS (MODELS BF75, BF8A AND BF100)



1. Bolt
2. Washer
3. Sleeve
4. Cover
5. Bolt
6. Washer
7. Sleeve
8. Water pump body
9. Impeller
10. Gasket
11. Wear plate
12. Gasket
13. Drive shaft
14. Drive shaft square connection end
15. Bearing
16. Seal
17. Gearcase housing
18. Shift shaft
19. Drive shaft lower bearing
20. Shim
21. Forward gear/bearing
22. Washer
23. Gear lubricant drain/fill plug
24. Thrust washer
25. Bearing
26. Pinion gear
27. Thrust washer
28. Clutch
29. Propeller shaft
30. Reverse gear
31. Thrust washer/shim
32. Ball bearing
33. Seal
34. Gearcase cap
35. Shear pin
36. Propeller
37. Bolt
38. Washer
39. Cotter pin
40. Propeller nut