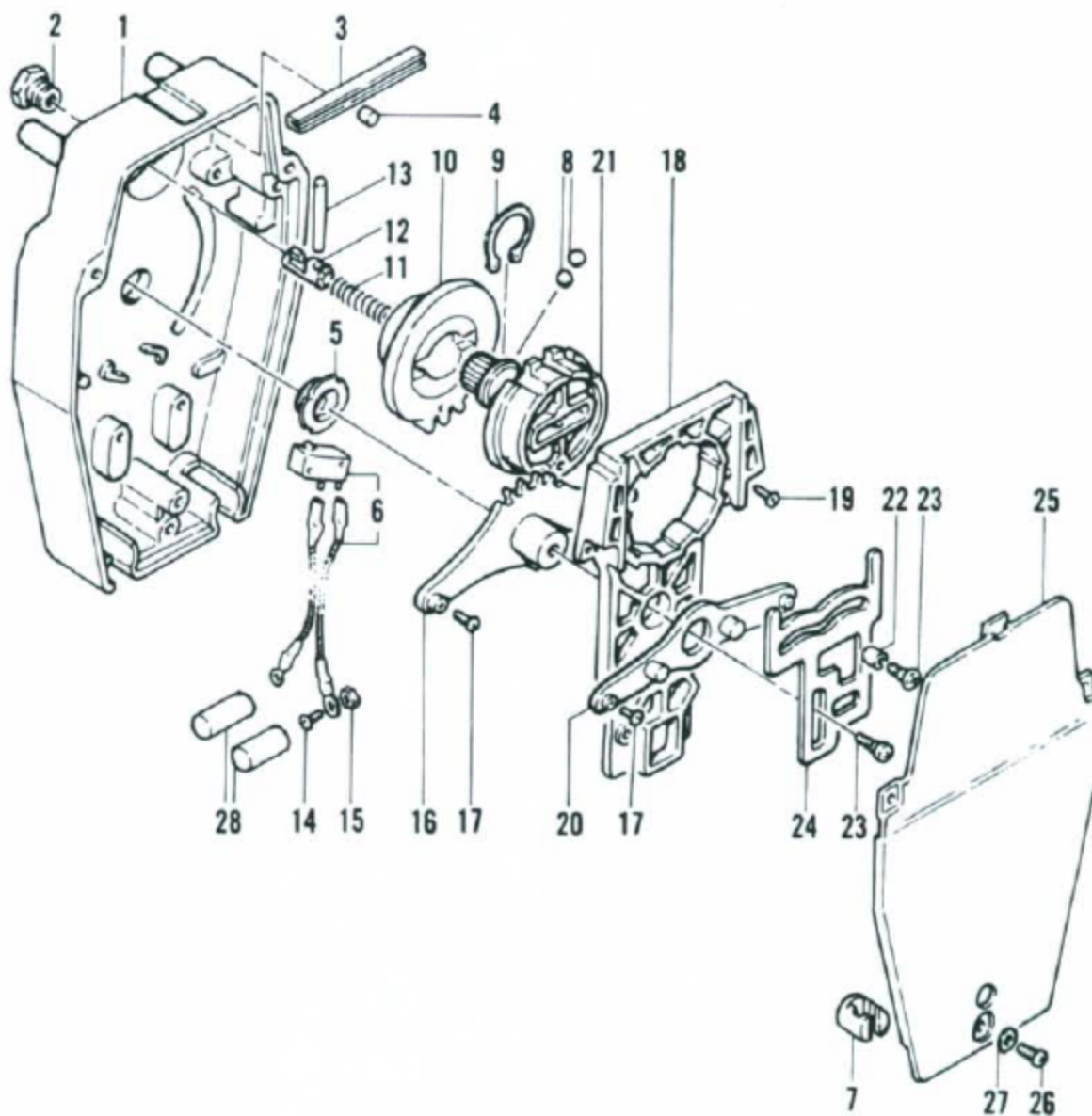


**MODELS BF75A, BF9A, BF115A AND BF130A**  
**REMOTE CONTROL COMPONENTS.**  
**PANEL OR BINACLE MOUNT**



1. Remote control housing
2. Handle lock bolt
3. Detent spring
4. Detent roller
5. Bushing
6. Neutral only start switch \*
7. Cable grommet
8. Steel balls
9. Snap ring
10. Shift gear
11. Spring
12. Shift lock-out switch
13. Pin
14. Screw
15. Nut

16. Shift arm
17. Screw
18. Support housing
19. Screw
20. Throttle arm
21. Control shaft
22. Throttle plate roller
23. Shoulder screw
24. Throttle plate
25. Rear cover
26. Rear cover
27. Washer
28. Spacer

\* not used in all applications