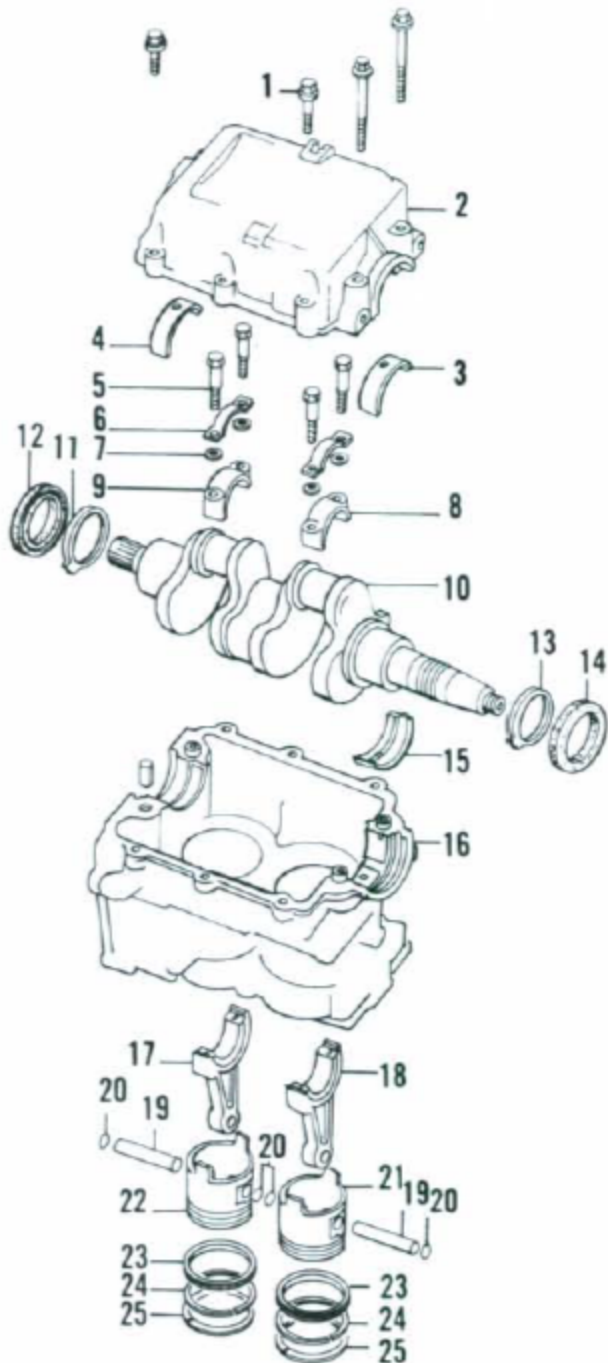


BASE ENGINE COMPONENTS (MODELS BF75, BF8A AND BF100)



1. Bolt
2. Crankcase/cover
3. No. 1 main bearing (outer)
4. No. 2 main bearing (outer)
5. Rod bolt
6. Locking tab
7. Washer
8. Rod cap (No. 1)
9. Rod cap (No. 2)
10. Crankshaft
11. Lower thrust washer
12. Lower oil seal
13. Upper thrust washer
14. Upper oil seal
15. Main bearing (inner)
16. Cylinder block
17. No. 2 connecting rod
18. No. 1 connecting rod
19. Piston pin
20. Lockring
21. No. 1 piston
22. No. 2 piston
23. Oil ring (bottom)
24. Second ring
25. Top ring