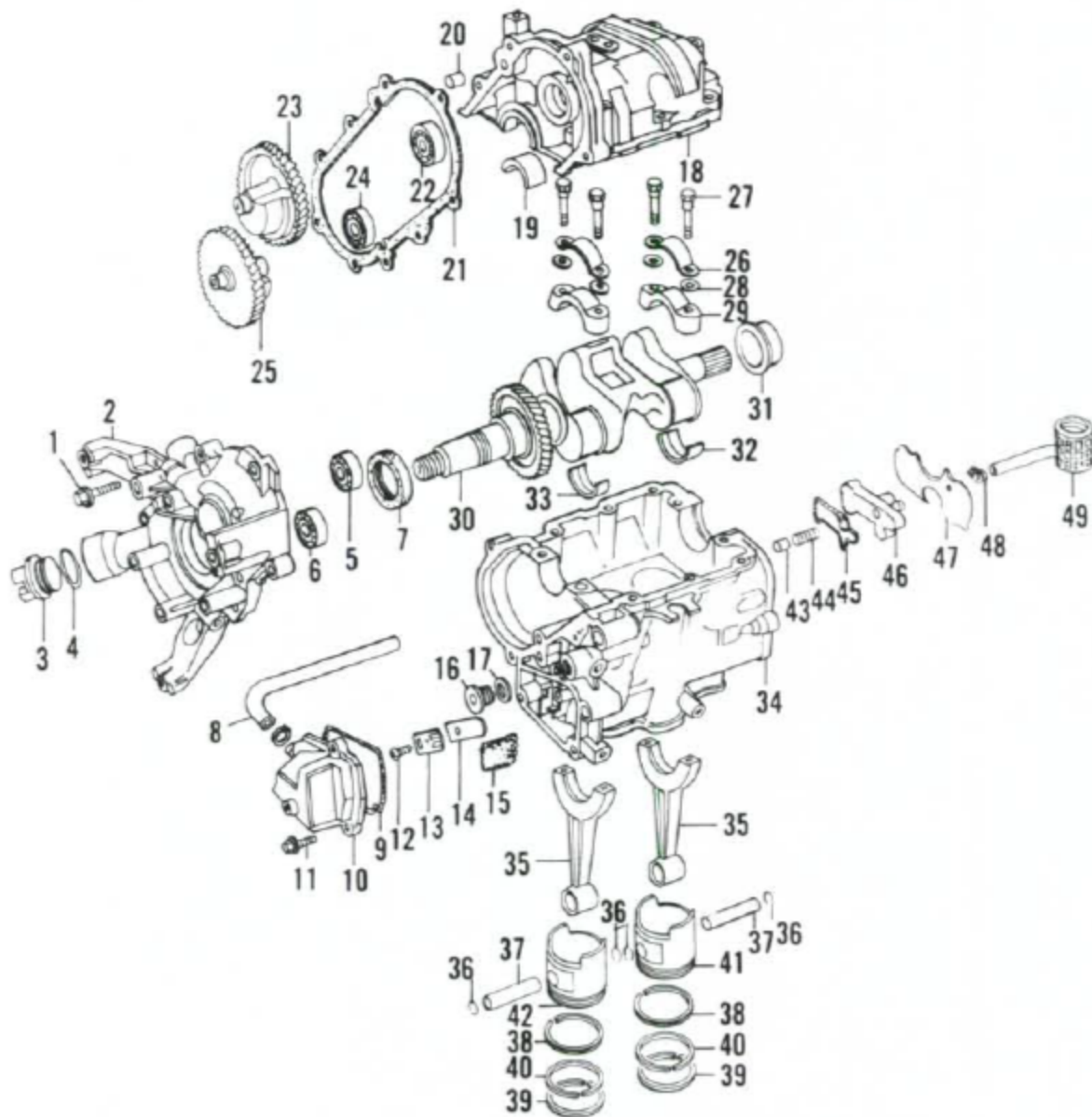


BASE ENGINE COMPONENTS (MODELS BF9.9A AND BF15A)



- | | | |
|-------------------------|----------------------------------|-------------------------------|
| 1. Bolt | 17. Gasket | 34. Cylinder block |
| 2. Top cover | 18. Crankcase/cover | 35. Connecting rod |
| 3. Oil fill cap | 19. Main bearing (outer) | 36. Lockring |
| 4. O-ring | 20. Alignment pin | 37. Piston pin |
| 5. Ball bearing (upper) | 21. Gasket | 38. Oil ring (lower) |
| 6. Ball bearing (upper) | 22. Ball bearing (lower) | 39. Top ring |
| 7. Oil seal | 23. Balancer shaft | 40. Second ring |
| 8. Breather tube | 24. Ball bearing (lower) | 41. No. 2 piston |
| 9. Gasket | 25. Balancer shaft | 42. No. 1 piston |
| 10. Breather housing | 26. Locking tab | 43. Oil pressure relief valve |
| 11. Bolt | 27. Bolt | 44. Relief valve spring |
| 12. Screw | 28. Washer | 45. O-ring |
| 13. Retainer | 29. Rod cap | 46. Cover |
| 14. Plate | 30. Crankshaft | 47. Mount gasket |
| 15. Filter | 31. Oil seal | 48. Clamp |
| 16. Plug | 32. No. 2 connecting rod bearing | 49. Oil pickup/screen |
| | 33. No. 1 connecting rod bearing | |