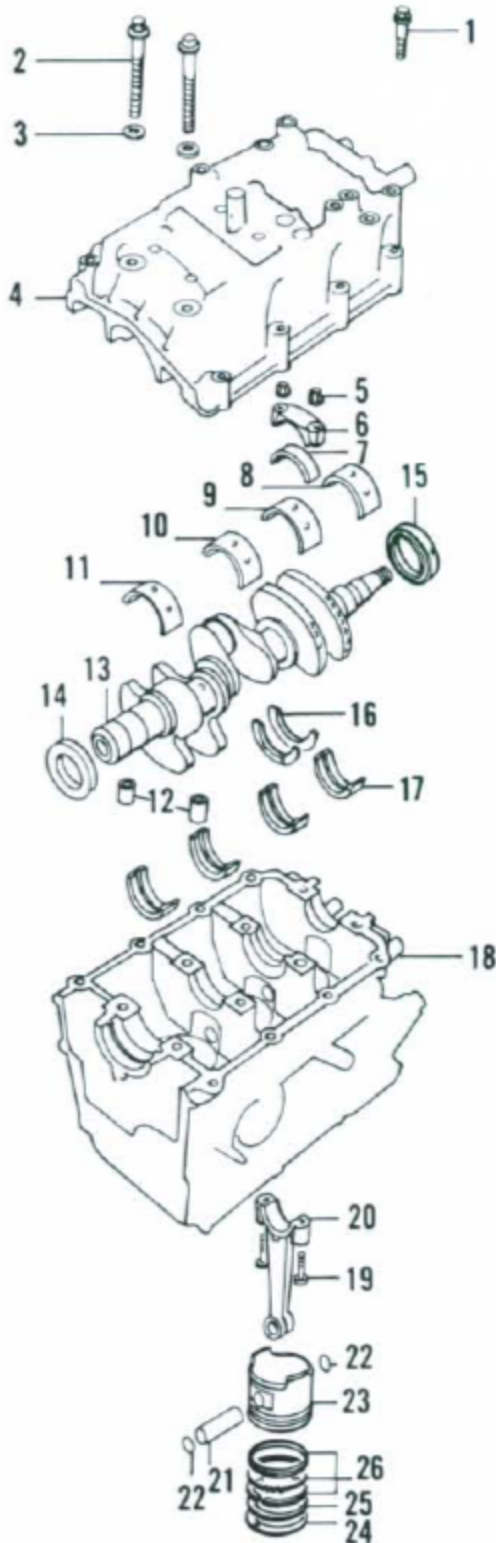


## BASE ENGINE COMPONENTS (MODELS BF20A, BF25A AND BF30A)



1. Bolt
2. Bolt
3. Washer
4. Crankcase/cover
5. Nut
6. Rod cap
7. Rod bearing
8. No. 1 main bearing
9. No. 2 main bearing
10. No. 3 main bearing
11. No. 4 main bearing
12. Alignment dowel
13. Crankshaft
14. Oil seal
15. Oil seal
16. Thrust spacers
17. Main bearings (inner)
18. Cylinder block
19. Rod bolt
20. Connecting rod
21. Piston pin
22. Lockring
23. Piston
24. Top ring
25. Second ring
26. Oil ring (bottom)