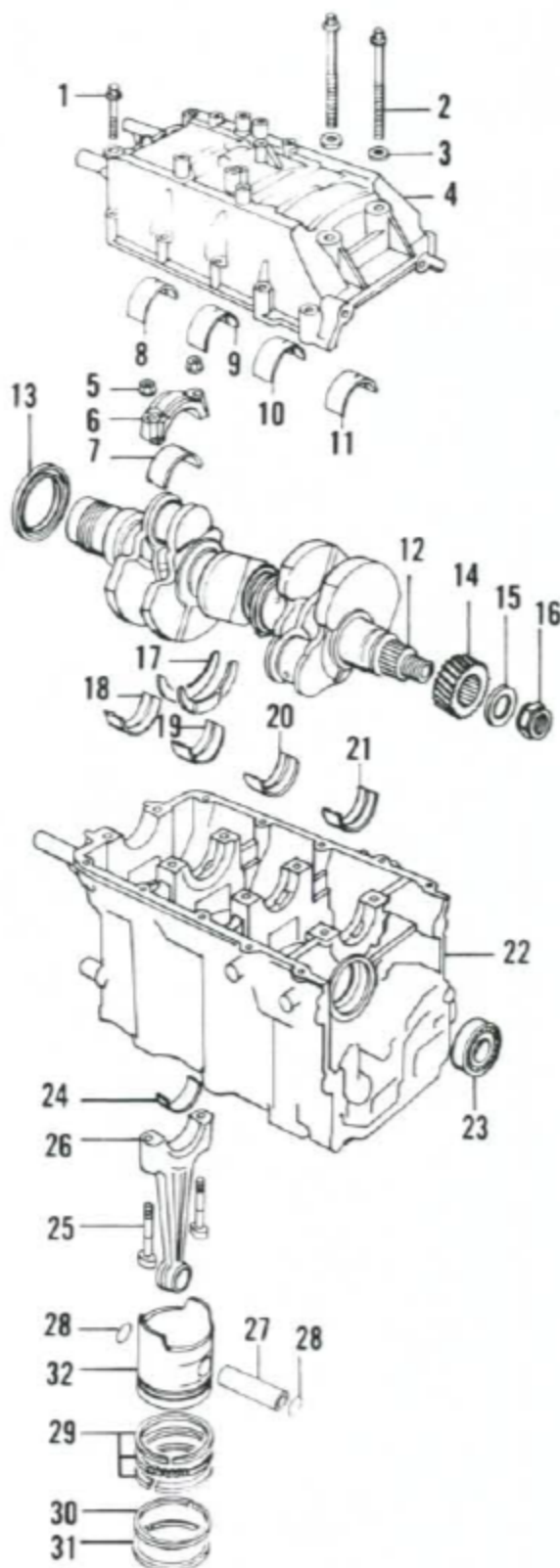


BASE ENGINE COMPONENTS (MODELS BF35A, BF40A, BF45A AND BF50A)



1. Bolt
2. Bolt
3. Washer
4. Crankcase/cover
5. Nut
6. Rod cap
7. Rod bearing
8. No. 1 main bearing (inner)
9. No. 2 main bearing (inner)
10. No. 3 main bearing (inner)
11. No. 4 main bearing (inner)
12. Crankshaft
13. Oil seal
14. Gear
15. Washer
16. Locknut
17. Thrust spacers
18. No. 1 main bearing (outer)
19. No. 2 main bearing (outer)
20. No. 3 main bearing (outer)
21. No. 4 main bearing (outer)
22. Cylinder block
23. Ball bearing (primary gear)
24. Rod bearing
25. Rod bolt
26. Connecting rod
27. Piston pin
28. Lockring
29. Oil ring (bottom)
30. Second ring
31. Top ring
32. Piston