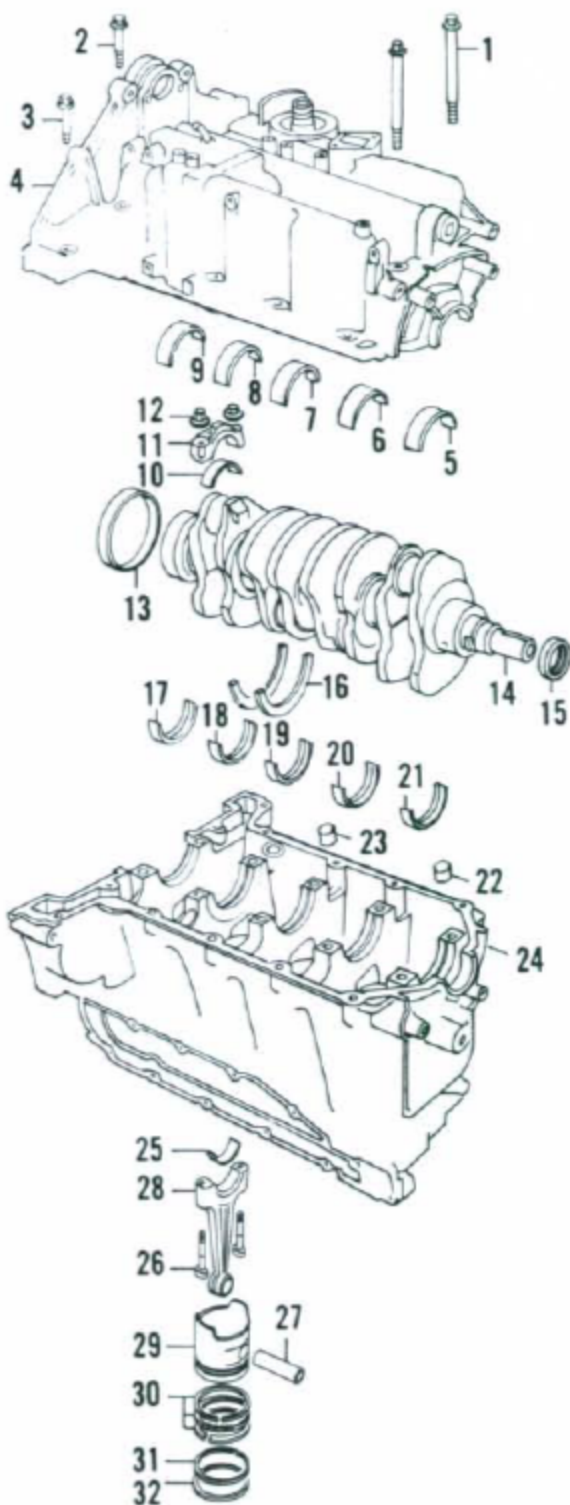


## BASE ENGINE COMPONENTS (MODELS BF75A AND BF90A)



1. Bolt
2. Bolt
3. Bolt
4. Crankcase/cover
5. No. 1 main bearing (outer)
6. No. 2 main bearing (outer)
7. No. 3 main bearing (outer)
8. No. 4 main bearing (outer)
9. No. 5 main bearing (outer)
10. Rod bearing
11. Rod cap
12. Nut
13. Lower oil seal
14. Crankshaft
15. Upper oil seal
16. Thrust spacers
17. No. 5 main bearing (inner)
18. No. 4 main bearing (inner)
19. No. 3 main bearing (inner)
20. No. 2 main bearing (inner)
21. No. 1 main bearing (inner)
22. Aligning dowel (small)
23. Aligning dowel (large)
24. Cylinder block
25. Rod bearing
26. Rod bolt
27. Piston pin
28. Connecting rod
29. Piston
30. Oil ring (bottom)
31. Second ring
32. Top ring