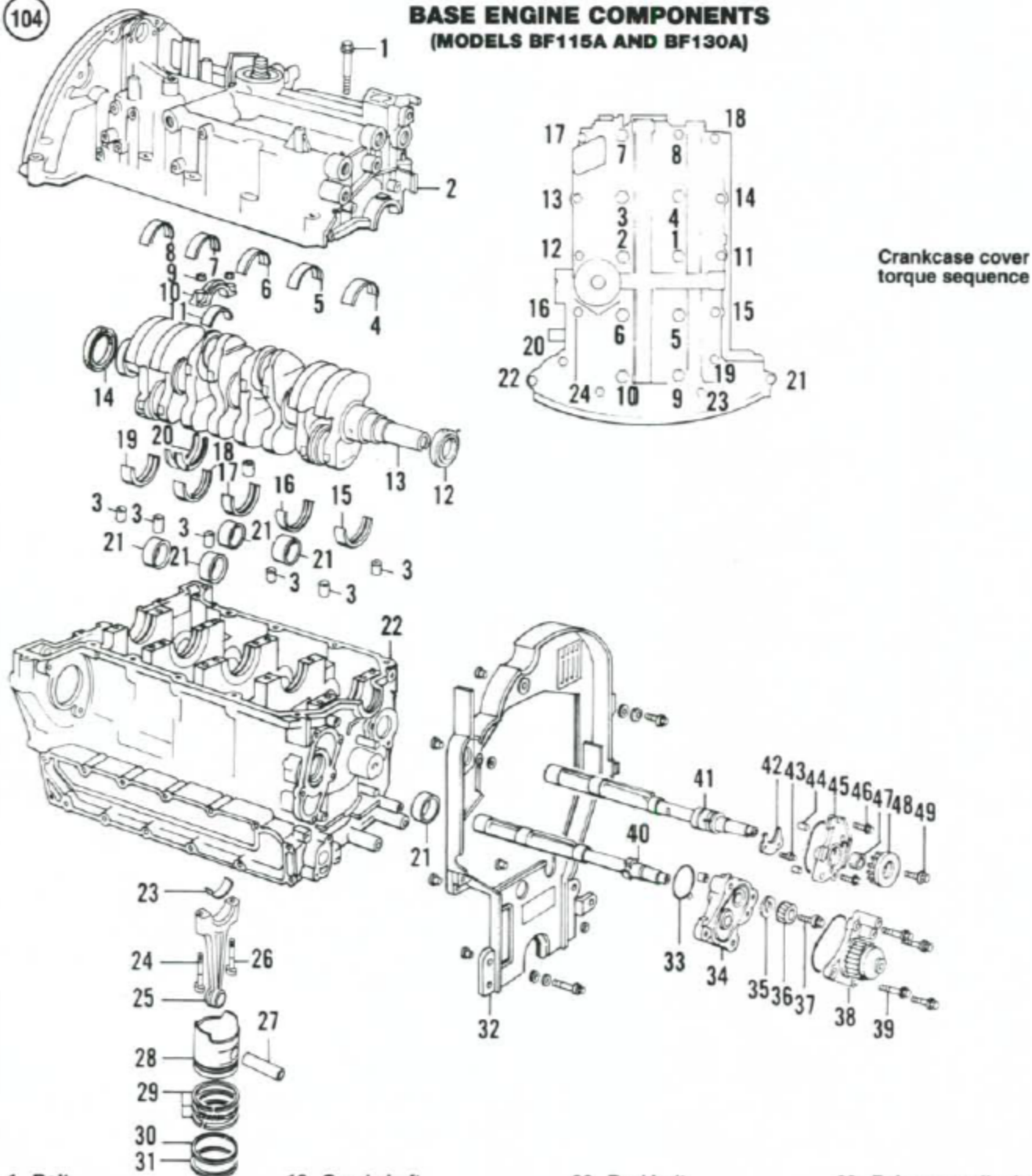


BASE ENGINE COMPONENTS (MODELS BF115A AND BF130A)



- | | | | |
|-------------------------------|--------------------------------|-----------------------------------|-------------------------------------|
| 1. Bolt | 13. Crankshaft | 26. Rod bolt | 38. Balancer pulley/cover |
| 2. Crankcase/cover | 14. Lower oil seal | 27. Piston pin | 39. Bolt |
| 3. Aligning dowel | 15. No. 1 main bearing (inner) | 28. Piston | 40. Balancer shaft (port side) |
| 4. No. 1 main bearing (outer) | 16. No. 2 main bearing (inner) | 29. Oil ring (bottom) | 41. Balancer shaft (starboard side) |
| 5. No. 2 main bearing (outer) | 17. No. 3 main bearing (inner) | 30. Second ring | 42. Tensioner |
| 6. No. 3 main bearing (outer) | 18. No. 4 main bearing (inner) | 31. Top ring | 43. Bolt |
| 7. No. 4 main bearing (outer) | 19. No. 5 main bearing (inner) | 32. Lower timing belt cover | 44. Sleeve |
| 8. No. 5 main bearing (outer) | 20. Thrust spacers | 33. O-ring | 45. Cover |
| 9. Nut | 21. Balancer shaft bearing | 34. Balancer gear housing (lower) | 46. Bolt |
| 10. Rod cap | 22. Cylinder block | 35. Thrust washer | 47. Seal |
| 11. Bearing | 23. Rod bearing | 36. Balancer gear | 48. Balancer pulley |
| 12. Upper oil seal | 24. Rod bolt | 37. Bolt | 49. Bolt |
| | 25. Connecting rod | | |