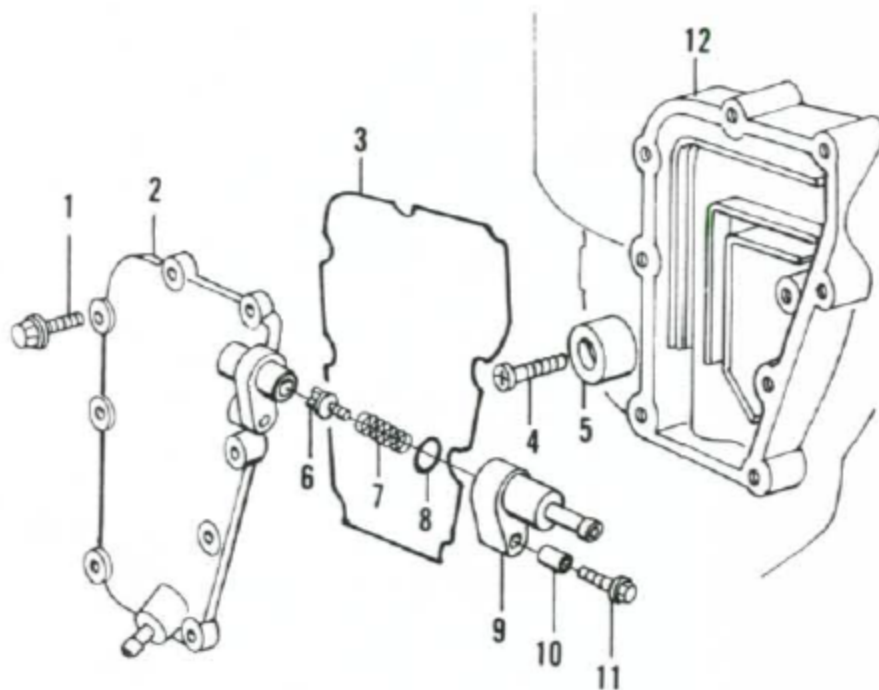
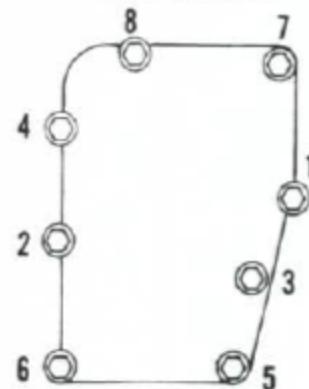


OIL/WATER JACKET (MODELS BF115A AND BF130A)



Oil/water jacket
torque sequence



1. Bolt
2. Water jacket/cover
3. Seal
4. Screw
5. Anode
6. Valve/plunger
7. Spring
8. O-ring
9. Fitting/cover
10. Sleeve
11. Bolt
12. Cylinder head