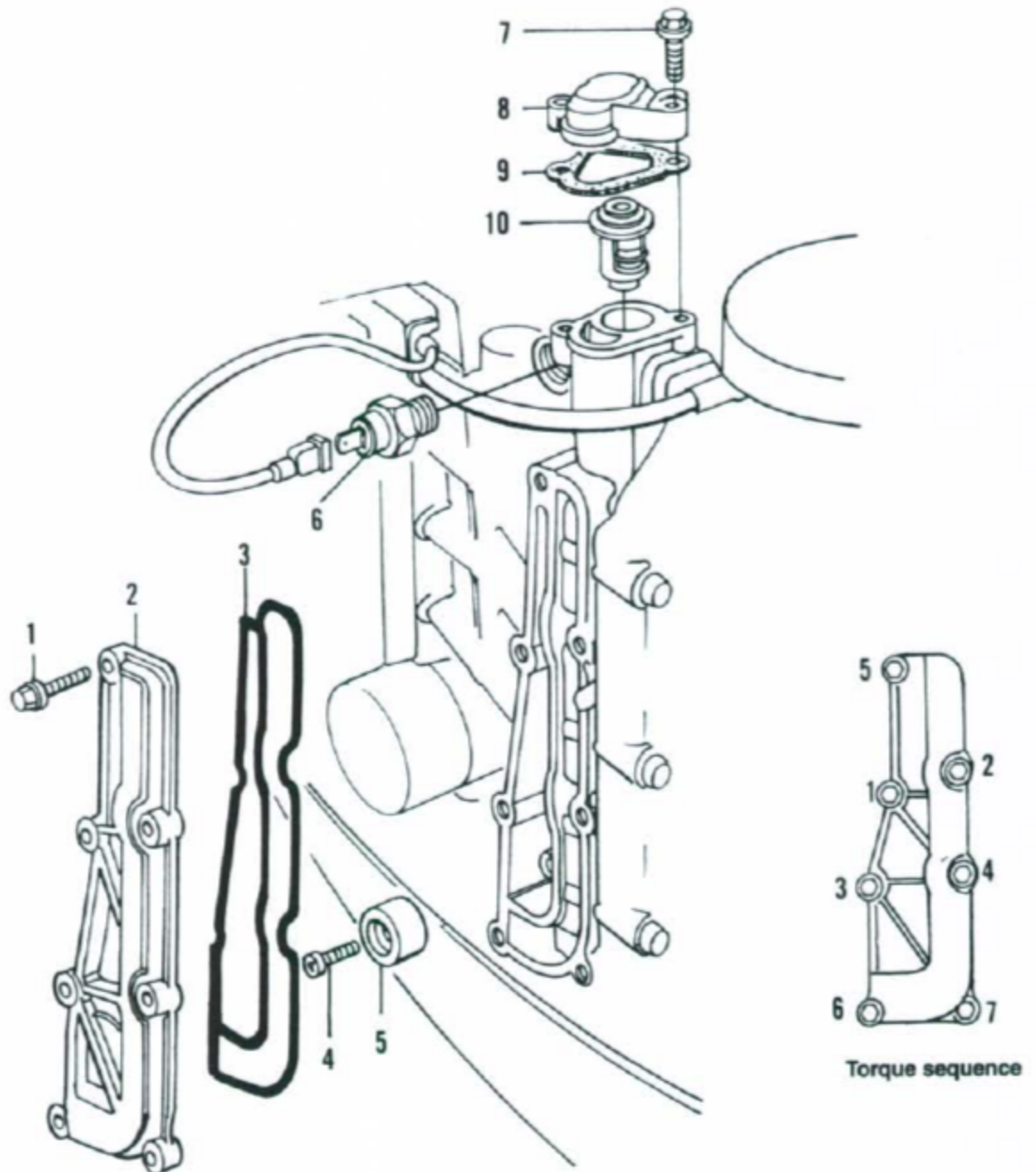


THERMOSTAT AND COVER (MODELS BF35A, BF40A, BF45A AND BF50A)



1. Bolt
2. Water jacket/cover
3. Gasket/Seal
4. Screw
5. Anode
6. Overheat switch
7. Bolt
8. Thermostat cover
9. Gasket
10. Thermostat

Torque sequence