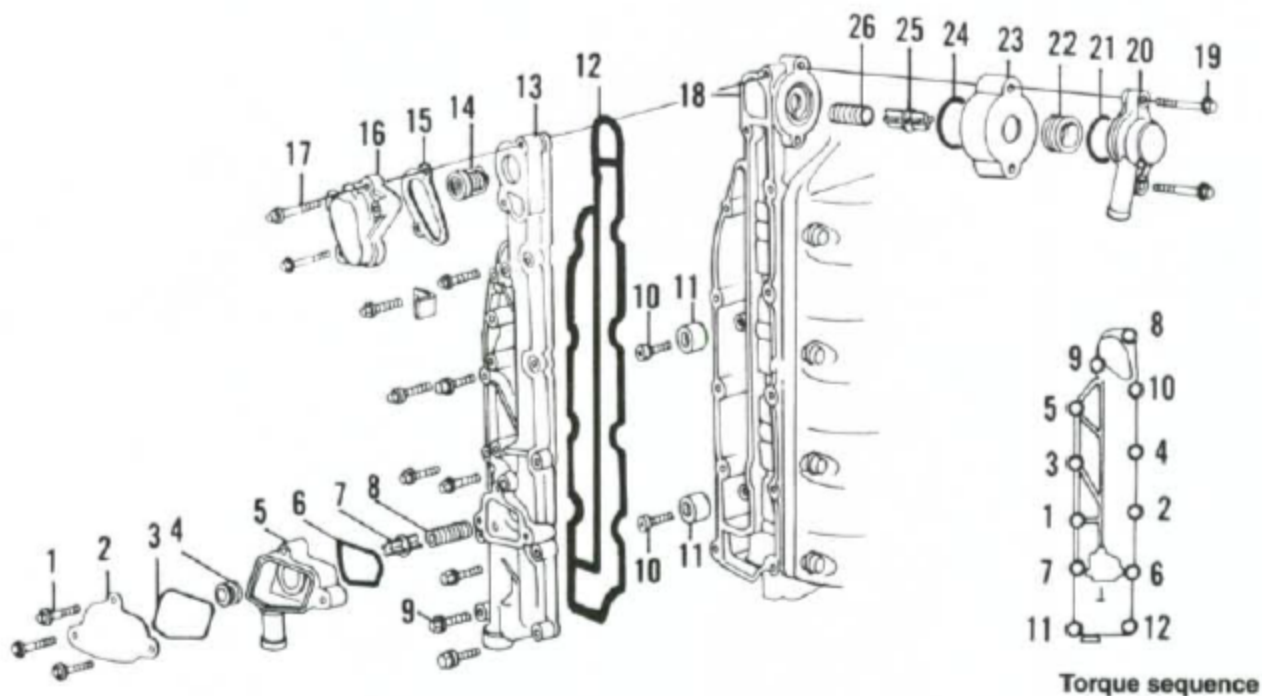


THERMOSTAT, WATER PRESSURE RELIEF VALVE AND COVER (MODELS BF75A AND BF90A)



- | | |
|-------------------------------|-----------------------|
| 1. Bolt | 14. Thermostat |
| 2. Water pressure valve cover | 15. Gasket |
| 3. O-ring | 16. Thermostat cover |
| 4. Grommet | 17. Bolt |
| 5. Fitting/cover | 18. Cylinder block |
| 6. O-ring | 19. Bolt |
| 7. Valve/plunger | 20. Flush valve cover |
| 8. Spring | 21. O-ring |
| 9. Bolt | 22. Grommet |
| 10. Screw | 23. Housing |
| 11. Anode | 24. O-ring |
| 12. Gasket/seal | 25. Valve/plunger |
| 13. Water jacket/cover | 26. Spring |