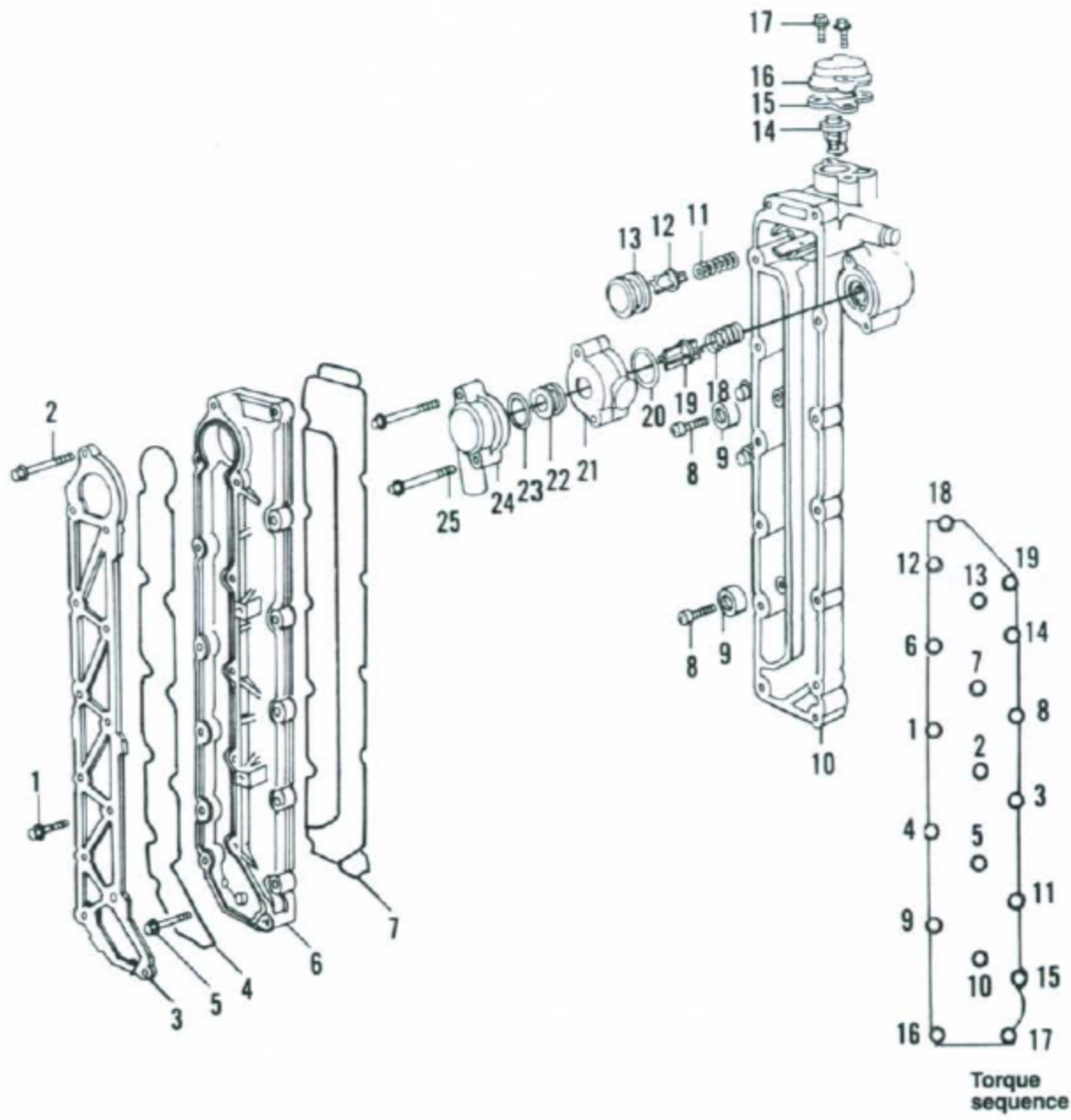


THERMOSTAT, WATER PRESSURE RELIEF VALVE AND COVER (MODELS BF115A AND BF130A)



- 1. Bolt
- 2. Bolt
- 3. Water jacket/cover
- 4. Gasket/seal
- 5. Bolt
- 6. Cover
- 7. Gasket/seal
- 8. Screw
- 9. Anode
- 10. Cylinder block
- 11. Spring
- 12. Valve/plunger
- 13. Grommet

- 14. Thermostat
- 15. Gasket
- 16. Thermostat cover
- 17. Bolt
- 18. Spring
- 19. Flush valve/plunger
- 20. O-ring
- 21. Housing
- 22. Grommet
- 23. O-ring
- 24. Flush valve cover/fitting
- 25. Bolt

Torque sequence