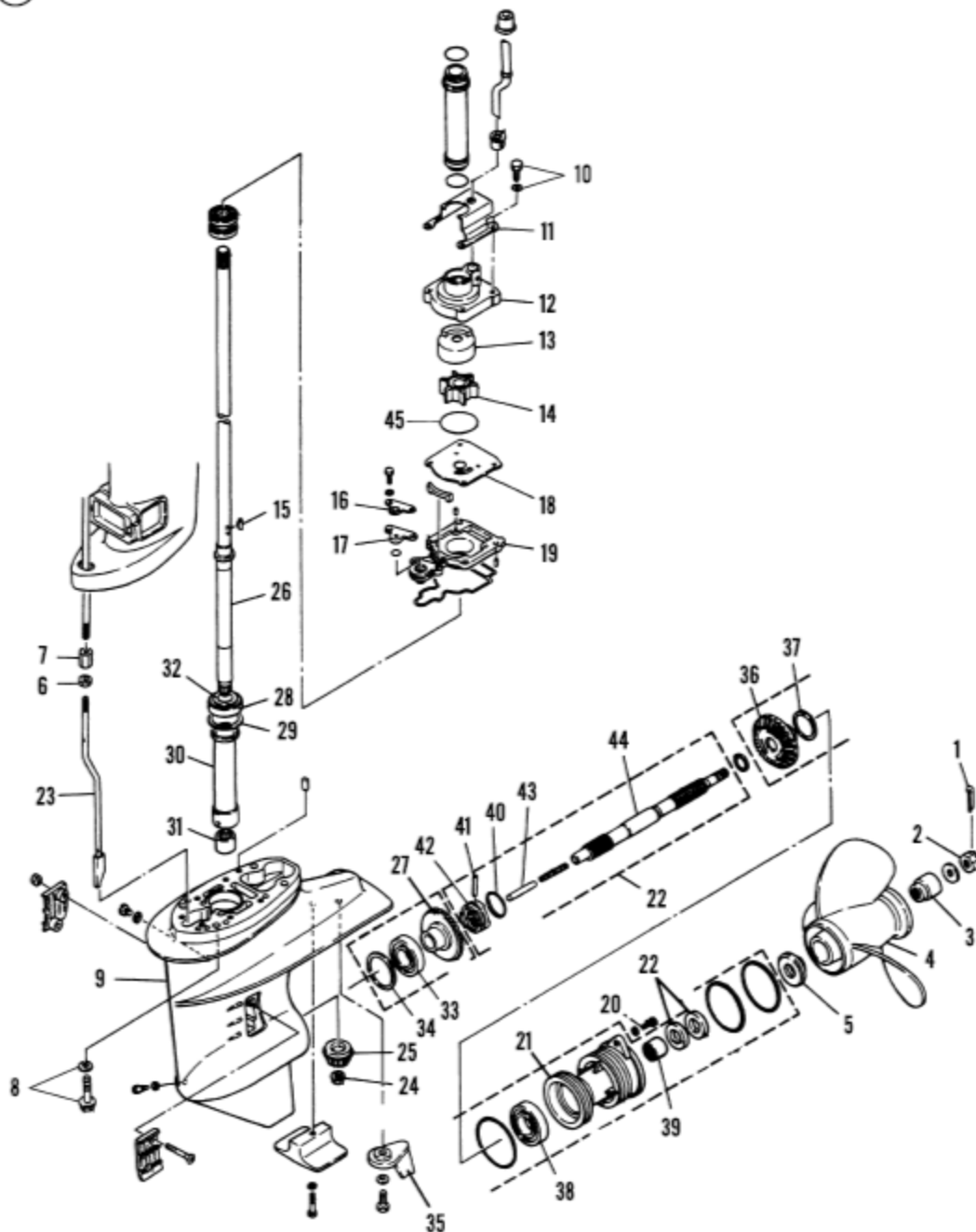


GEARCASE COMPONENTS (20 AND 25 HP TWO-CYLINDER MODELS)



1. Cotter pin
2. Propeller nut
3. Spacer
4. Propeller
5. Thrust hub
6. Jam nut
7. Shift shaft coupling
8. Mounting bolt and washer
9. Gearcase housing
10. Screw and washer
11. Cover*
12. Water pump body
13. Insert
14. Impeller
15. Drive key
16. Plate
17. Shift shaft bellows retainer
18. Wear plate
19. Water pump base
20. Bolt and washer
21. Bearing carrier
22. Propeller shaft seals
23. Shift shaft assembly
24. Pinion nut
25. Pinion gear
26. Drive shaft
27. Forward gear
28. Thrust bearing
29. Pinion gear shim
30. Sleeve
31. Lower drive shaft bearing
32. Bearing race
33. Forward gear bearing
34. Forward gear shim
35. Trim tab
36. Reverse gear
37. Reverse gear shim
38. Reverse gear bearing
39. Propeller shaft needle bearing
40. Clutch spring
41. Cross pin
42. Clutch
43. Cam follower
44. Propeller shaft
45. O-ring

*Not used on all models