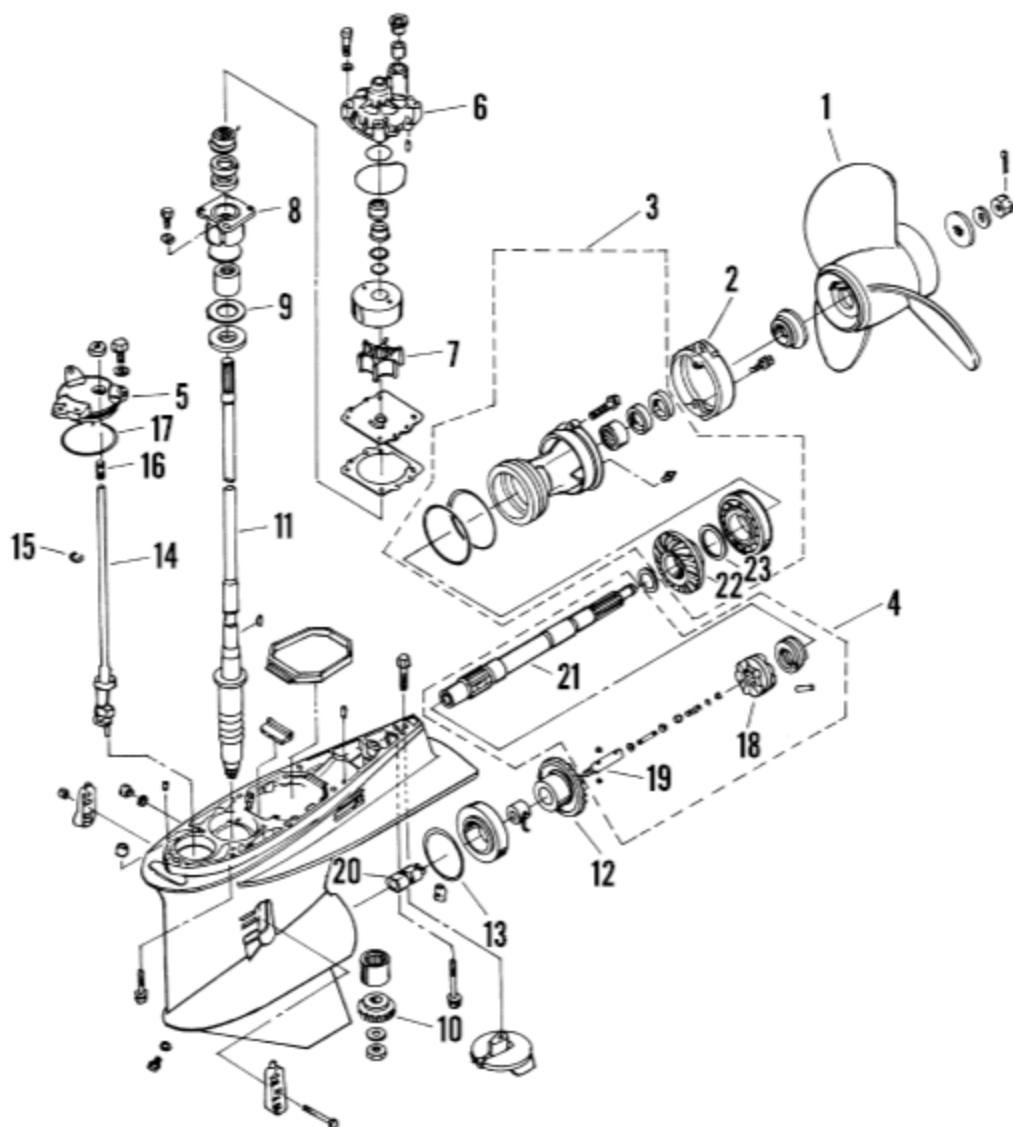


STANDARD ROTATION (RH) GEARCASE (200-250 HP MODELS [3.1 LITER])



- | | |
|---|----------------------------------|
| 1. Propeller assembly | 12. Forward gear |
| 2. Retaining ring | 13. Shim (forward gear locating) |
| 3. Bearing carrier assembly | 14. Shift shaft |
| 4. Shift slider and clutch assembly | 15. E-clip |
| 5. Shift shaft seal housing | 16. Spring |
| 6. Water pump body | 17. O-ring |
| 7. Impeller | 18. Clutch |
| 8. Drive shaft bearing and seal housing | 19. Shift slider |
| 9. Shim (pinion gear locating) | 20. Shift cam |
| 10. Pinion gear | 21. Propeller shaft |
| 11. Drive shaft | 22. Reverse gear |
| | 23. Shim (reverse gear locating) |