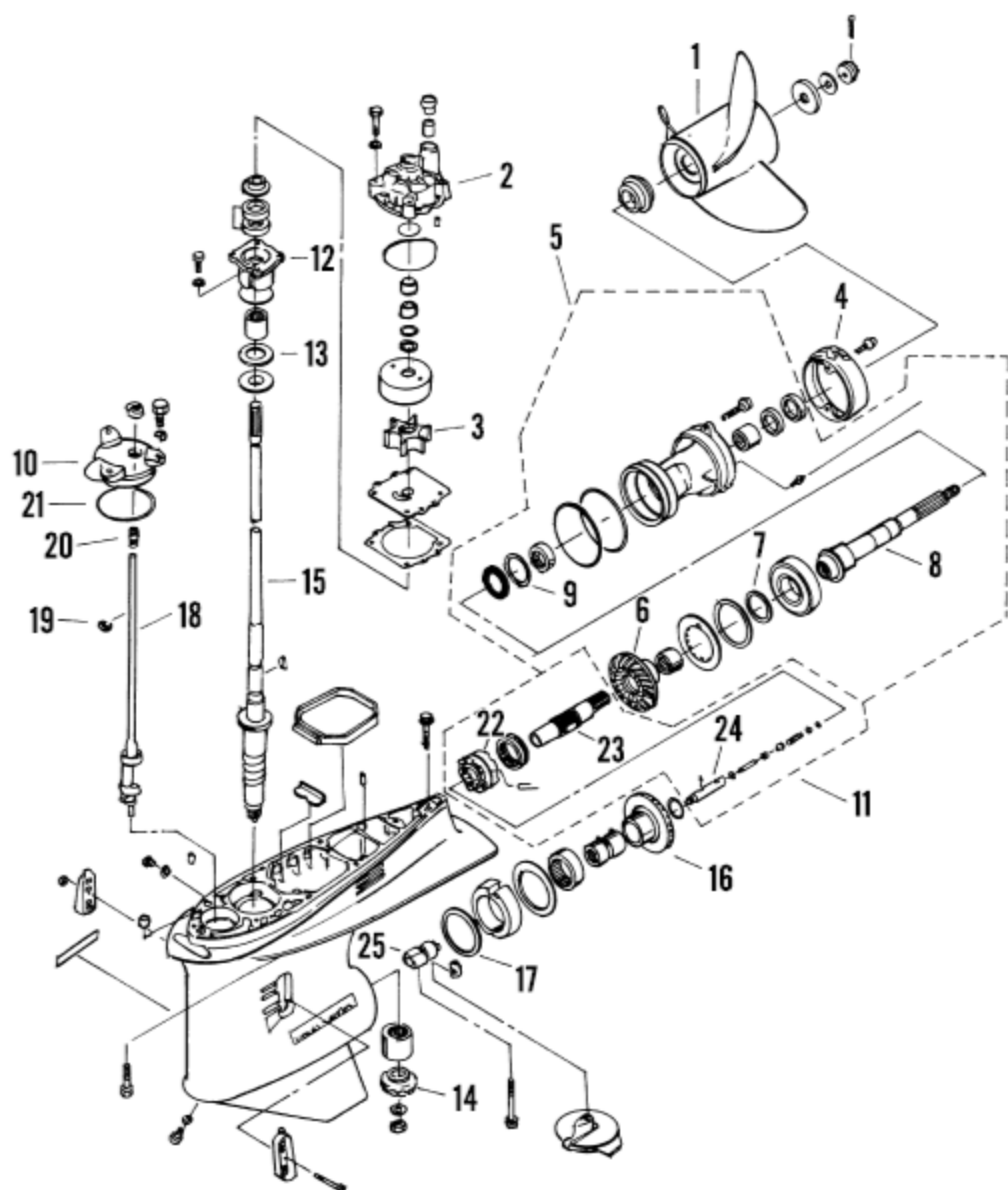


### COUNTER ROTATION (LH) GEARCASE (200-250 HP MODELS [3.1 LITER])



- |                             |  |                           |
|-----------------------------|--|---------------------------|
| 1. Propeller                | 10. Shift shaft seal housing             | 17. Shim                  |
| 2. Water pump body          | 11. Shift slider assembly                | 18. Shift shaft           |
| 3. Impeller                 | 12. Drive shaft bearing and seal housing | 19. Clip                  |
| 4. Retainer                 | 13. Shim                                 | 20. Spring                |
| 5. Bearing carrier assembly | 14. Pinion gear                          | 21. O-ring                |
| 6. Forward gear             | 15. Drive shaft                          | 22. Clutch                |
| 7. Shim                     | 16. Reverse gear                         | 23. Front propeller shaft |
| 8. Rear propeller shaft     |  | 24. Shift slider          |
| 9. Shim                     |  | 25. Shifter               |