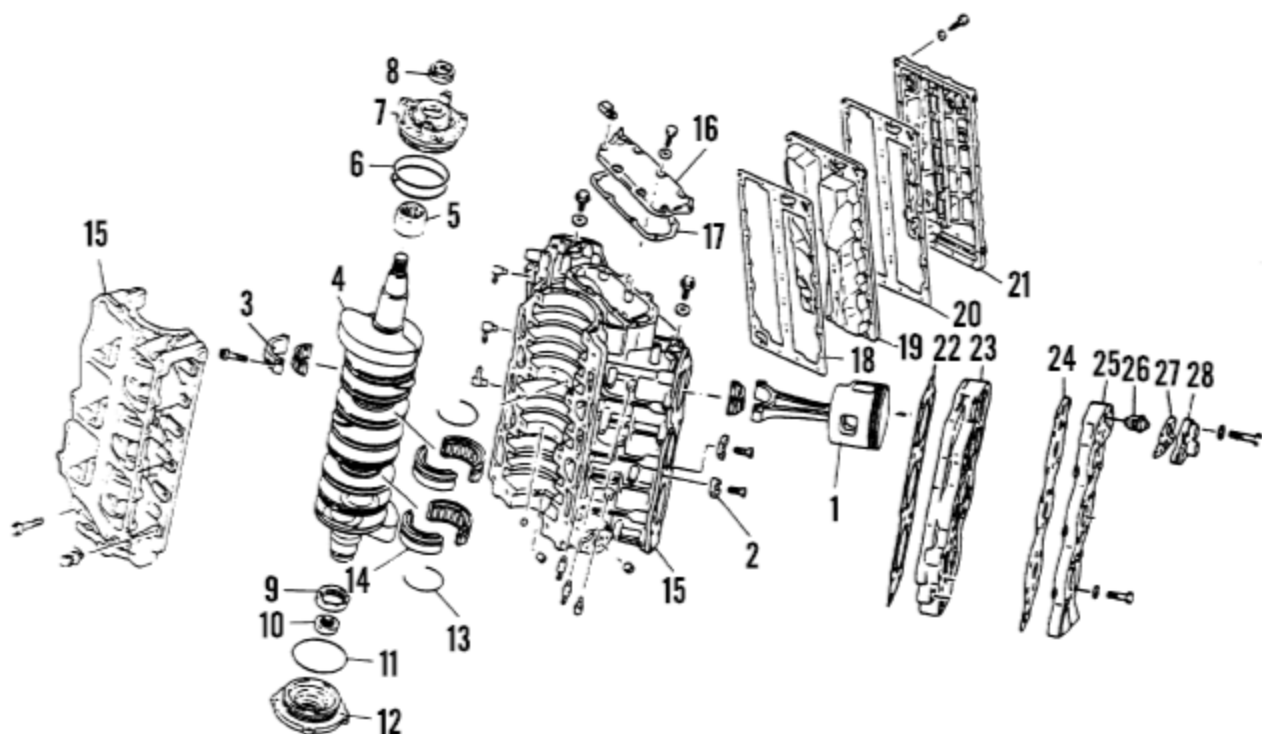


POWER HEAD COMPONENTS (105 JET AND 150-200 HP MODELS [2.6 LITER])



- | | |
|--|------------------------------------|
| 1. Piston/connecting rod assembly | 14. Center main bearing |
| 2. Anode | 15. Cylinder block/crankcase cover |
| 3. Connecting rod cap | 16. Water jacket cover |
| 4. Crankshaft | 17. Gasket |
| 5. Upper main bearing (roller) | 18. Gasket |
| 6. O-rings | 19. Exhaust plate |
| 7. Bearing/cover/seal housing (upper) | 20. Gasket |
| 8. Seal | 21. Exhaust cover |
| 9. Oil injection drive gear | 22. Cylinder head gasket |
| 10. Seal | 23. Cylinder head |
| 11. O-ring | 24. Gasket |
| 12. Bearing/cover/seal housing (lower) | 25. Water jacket cover |
| 13. Retaining ring | 26. Thermostat |
| | 27. Gasket |
| | 28. Thermostat cover |