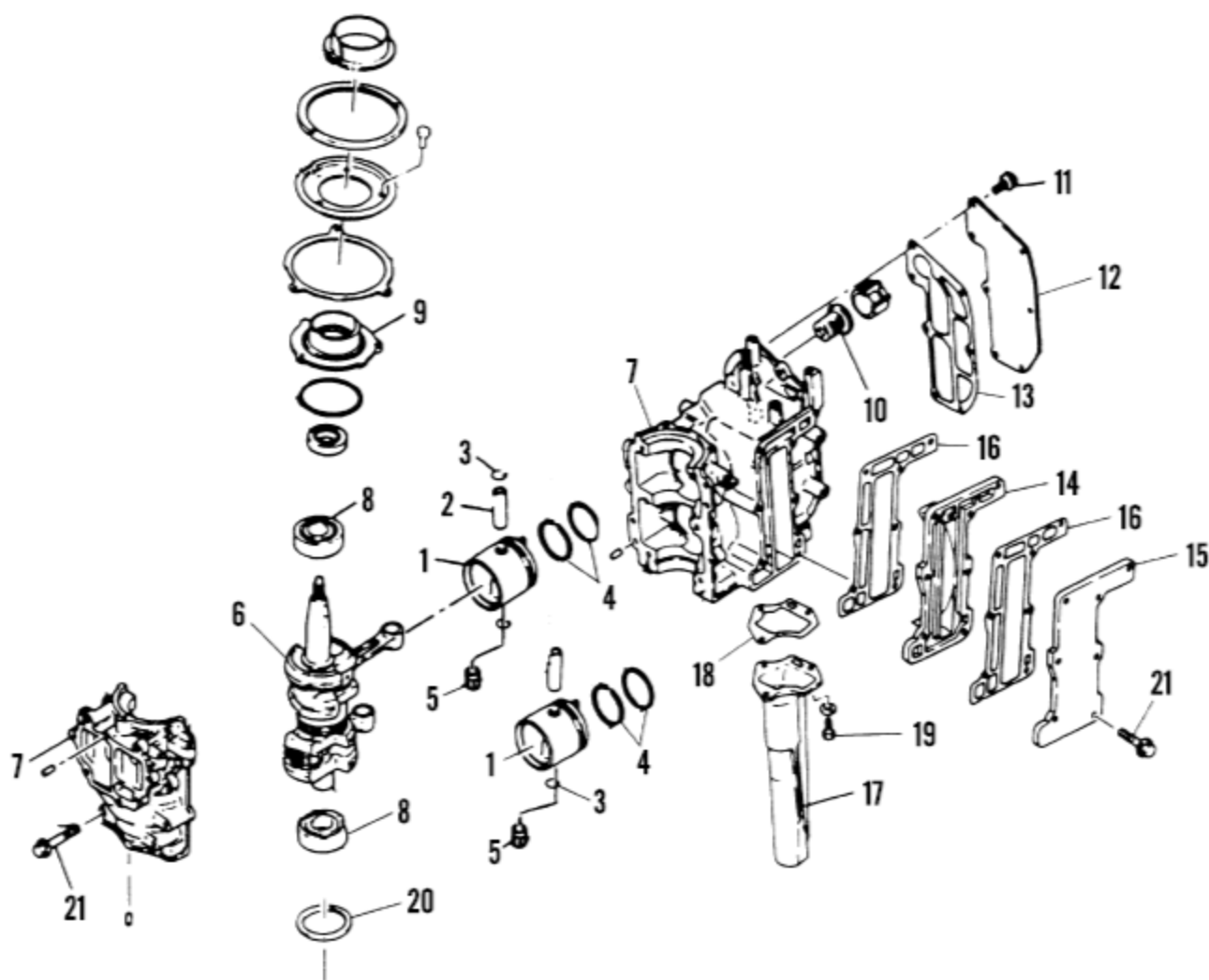


POWER HEAD COMPONENTS (6 AND 8 HP TWO-CYLINDER MODELS)



- | | |
|--|------------------------|
| 1. Piston | 11. Bolt |
| 2. Piston pin | 12. Water jacket cover |
| 3. Lockring | 13. Gasket |
| 4. Piston rings | 14. Exhaust plate |
| 5. Piston pin bearing | 15. Exhaust cover |
| 6. Crankshaft and connecting rods assembly | 16. Gasket |
| 7. Cylinder block/crankcase cover | 17. Exhaust tube |
| 8. Main bearing | 18. Gasket |
| 9. Top cover | 19. Bolt and washer |
| 10. Thermostat | 20. O-ring |
| | 21. Bolt |