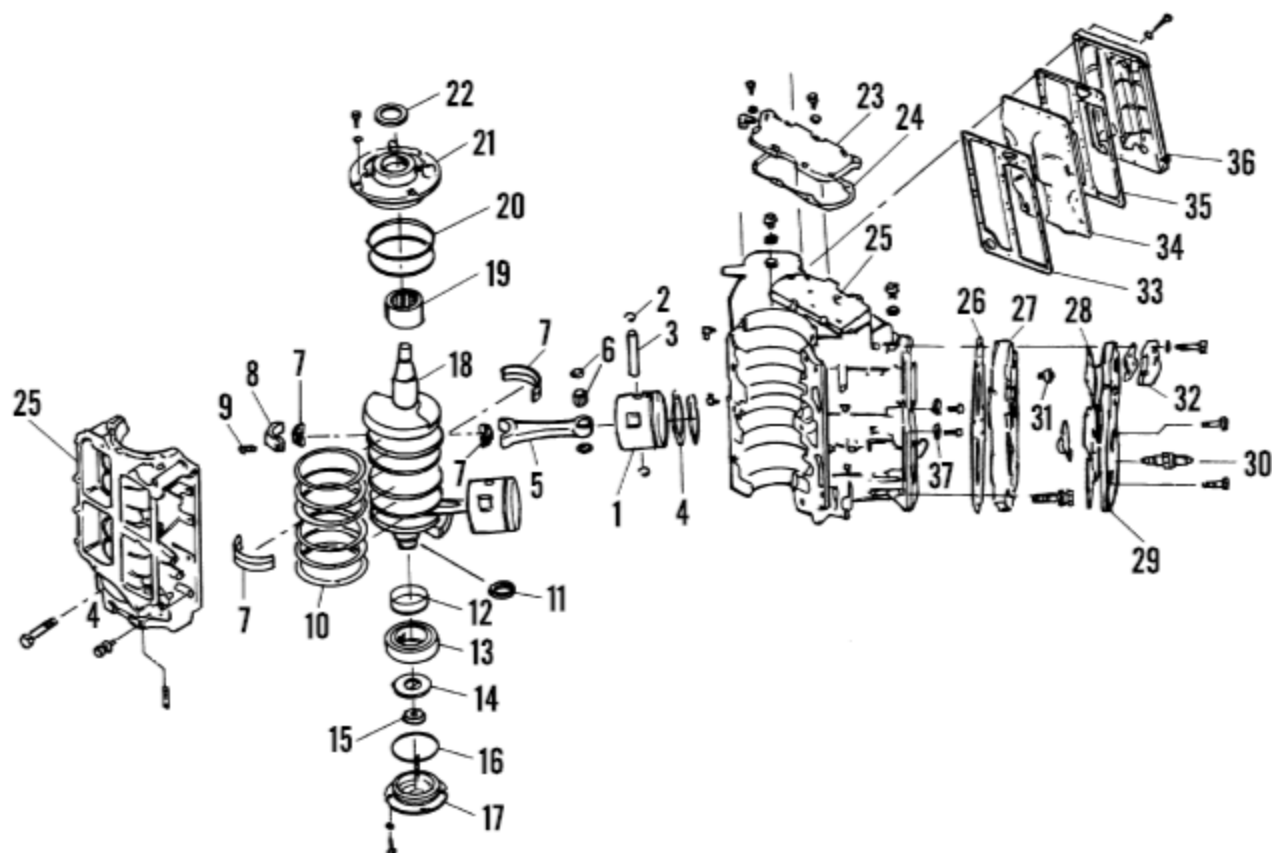


## POWER HEAD COMPONENTS (80 JET AND 115-130 HP MODELS)



- |  |  |
|--|--|
| 1. Piston                              | 20. O-rings                            |
| 2. Lockring                            | 21. Bearing/cover/seal housing (upper) |
| 3. Piston pin                          | 22. Seal                               |
| 4. Piston rings                        | 23. Water jacket cover                 |
| 5. Connecting rod                      | 24. Gasket                             |
| 6. Bearing and thrust washers          | 25. Cylinder block/crankcase cover     |
| 7. Bearing set                         | 26. Head gasket                        |
| 8. Connecting rod cap                  | 27. Cylinder head                      |
| 9. Rod bolt                            | 28. Gasket                             |
| 10. Crankcase sealing ring             | 29. Water jacket cover                 |
| 11. Snap ring                          | 30. Spark plug                         |
| 12. Oil injection drive gear           | 31. Thermostat                         |
| 13. Lower main bearing (ball bearing)  | 32. Thermostat cover                   |
| 14. Seal                               | 33. Gasket                             |
| 15. Seal                               | 34. Exhaust plate                      |
| 16. O-ring                             | 35. Gasket                             |
| 17. Bearing/cover/seal housing (lower) | 36. Exhaust cover                      |
| 18. Crankshaft                         | 37. Anode                              |
| 19. Upper main bearing (roller)        |  |