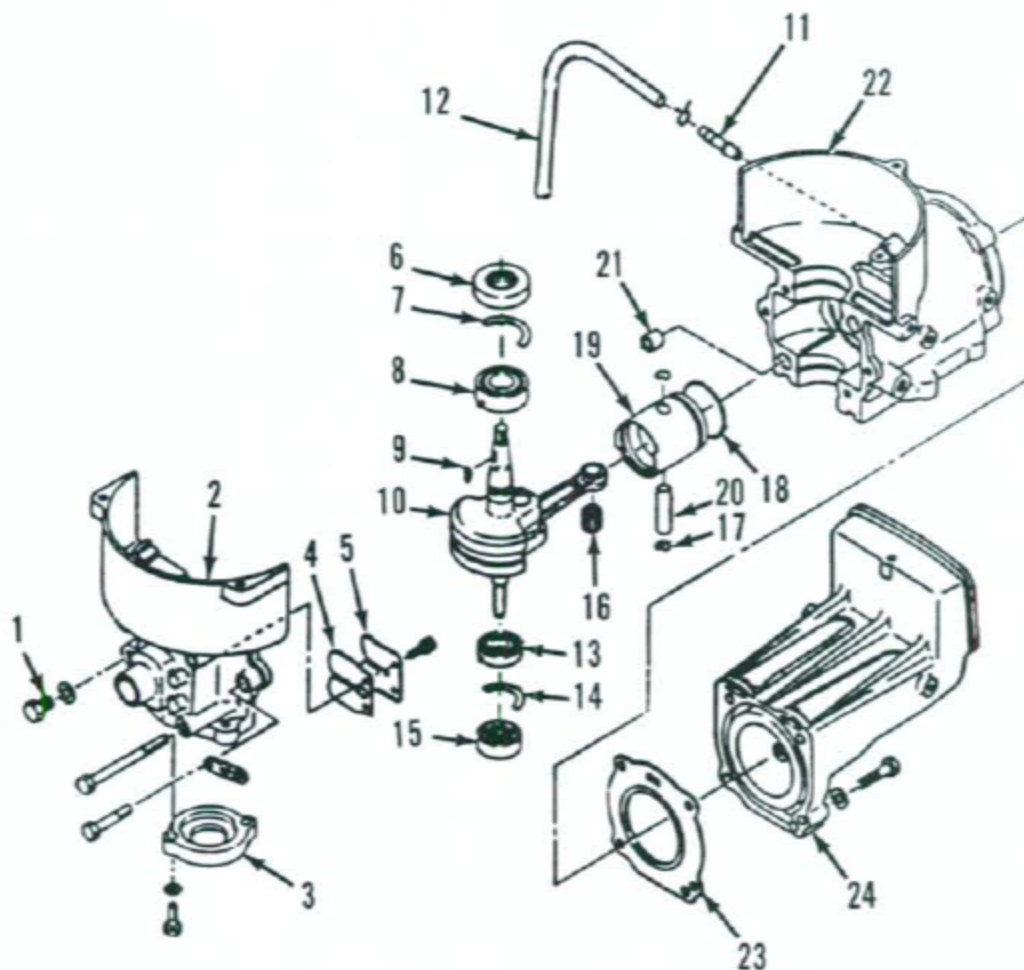


**POWER HEAD
(2.0, 2.3 AND 3.3 HP)**



1. Plug
2. Crankcase assembly
3. Lower crankcase head
4. Leaf valve
5. Leaf stop
6. Upper crankshaft seal
7. Bearing retainer
8. Main bearing

9. Flywheel key
10. Crankshaft assembly
11. Fitting
12. Water pump indicator hose
13. Main bearing
14. Bearing retainer
15. Lower crankshaft seal
16. Piston pin bearing

17. Retainer
18. Piston ring
19. Piston
20. Piston pin
21. Dowel
22. Cylinder block assembly
23. Gasket
24. Cylinder head