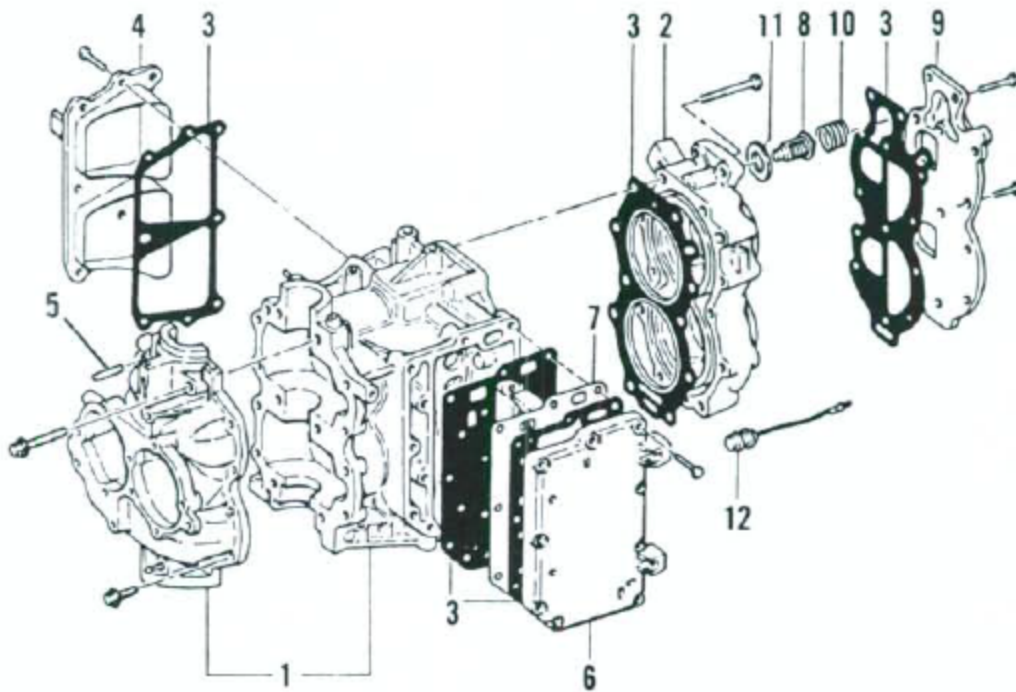


CYLINDER AND CRANKCASE (20-30 HP)



- | | |
|------------------------------------|------------------------|
| 1. Cylinder and crankcase assembly | 7. Inner exhaust cover |
| 2. Cylinder head | 8. Thermostat |
| 3. Gasket | 9. Cylinder head cover |
| 4. Bypass cover | 10. Spring |
| 5. Taper pin | 11. Thermostat seal |
| 6. Outer exhaust cover | 12. Temperature switch |