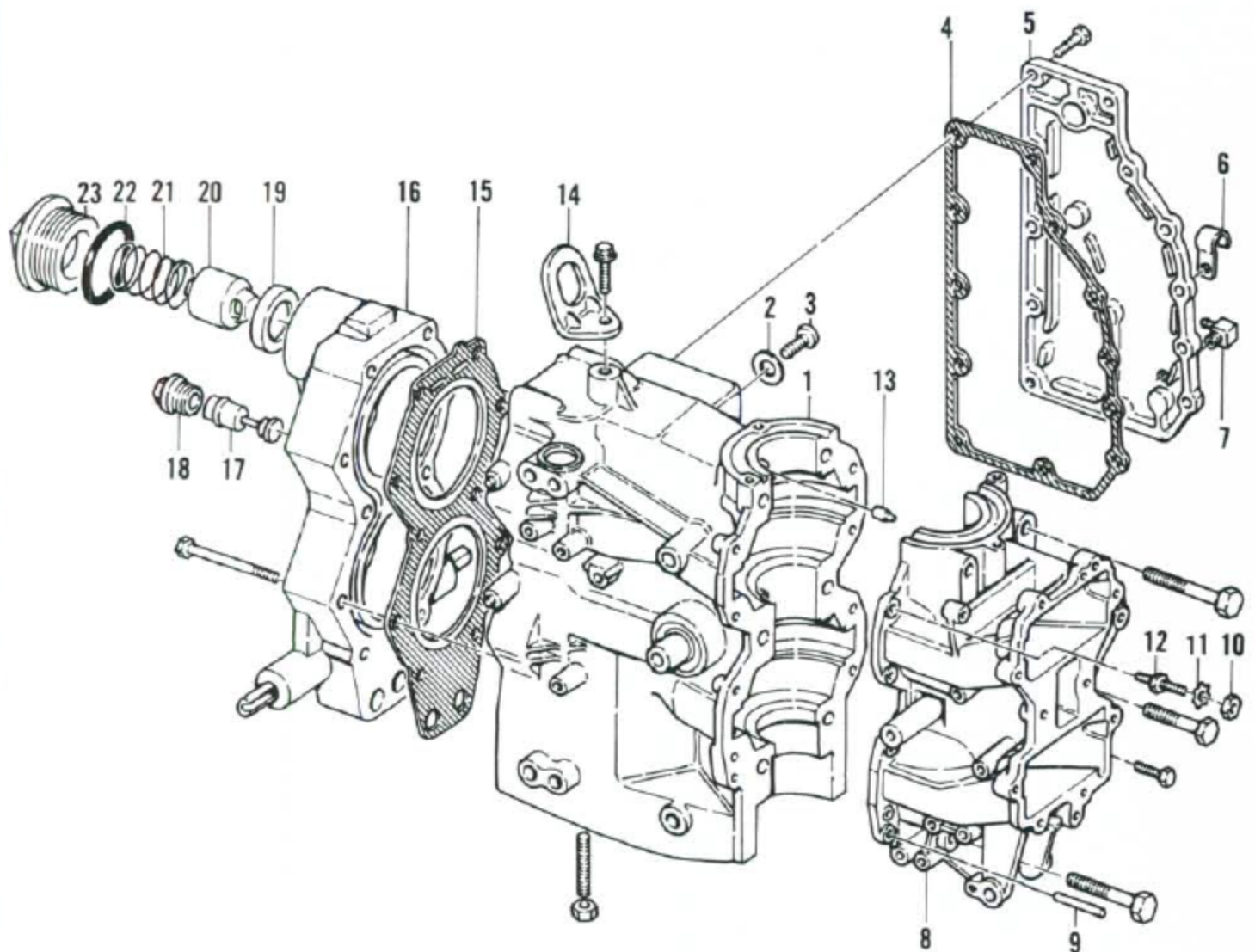


CYLINDER BLOCK, CRANKCASE COVER AND RELATED COMPONENTS (35 JET AND 40-50 HP)



- | | |
|--------------------|---------------------------------|
| 1. Cylinder block | 13. Bearing locating pin |
| 2. Washer | 14. Lifting eye |
| 3. Plug | 15. Gasket |
| 4. Gasket | 16. Cylinder head |
| 5. Exhaust cover | 17. Temperature switch |
| 6. Clamp | 18. Temperature switch retainer |
| 7. Fitting | 19. Gasket |
| 8. Crankcase cover | 20. Thermostat |
| 9. Taper pin | 21. Spring |
| 10. Nut | 22. O-ring |
| 11. Lockwasher | 23. Thermostat cover |
| 12. Stud | |