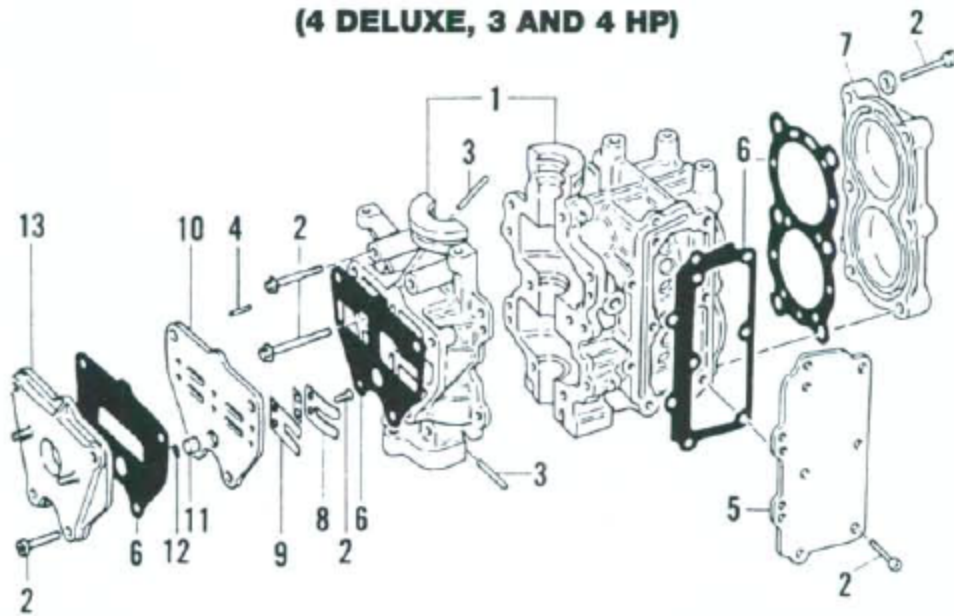


CYLINDER AND CRANKCASE (4 DELUXE, 3 AND 4 HP)



- 1. Cylinder and crankcase assembly
- 2. Screw
- 3. Tube
- 4. Taper pin
- 5. Exhaust cover plate

- 6. Gasket
- 7. Cylinder head
- 8. Leaf stop
- 9. Leaf valve

- 10. Leaf plate
- 11. Check valve
- 12. Check valve screen
- 13. Intake manifold