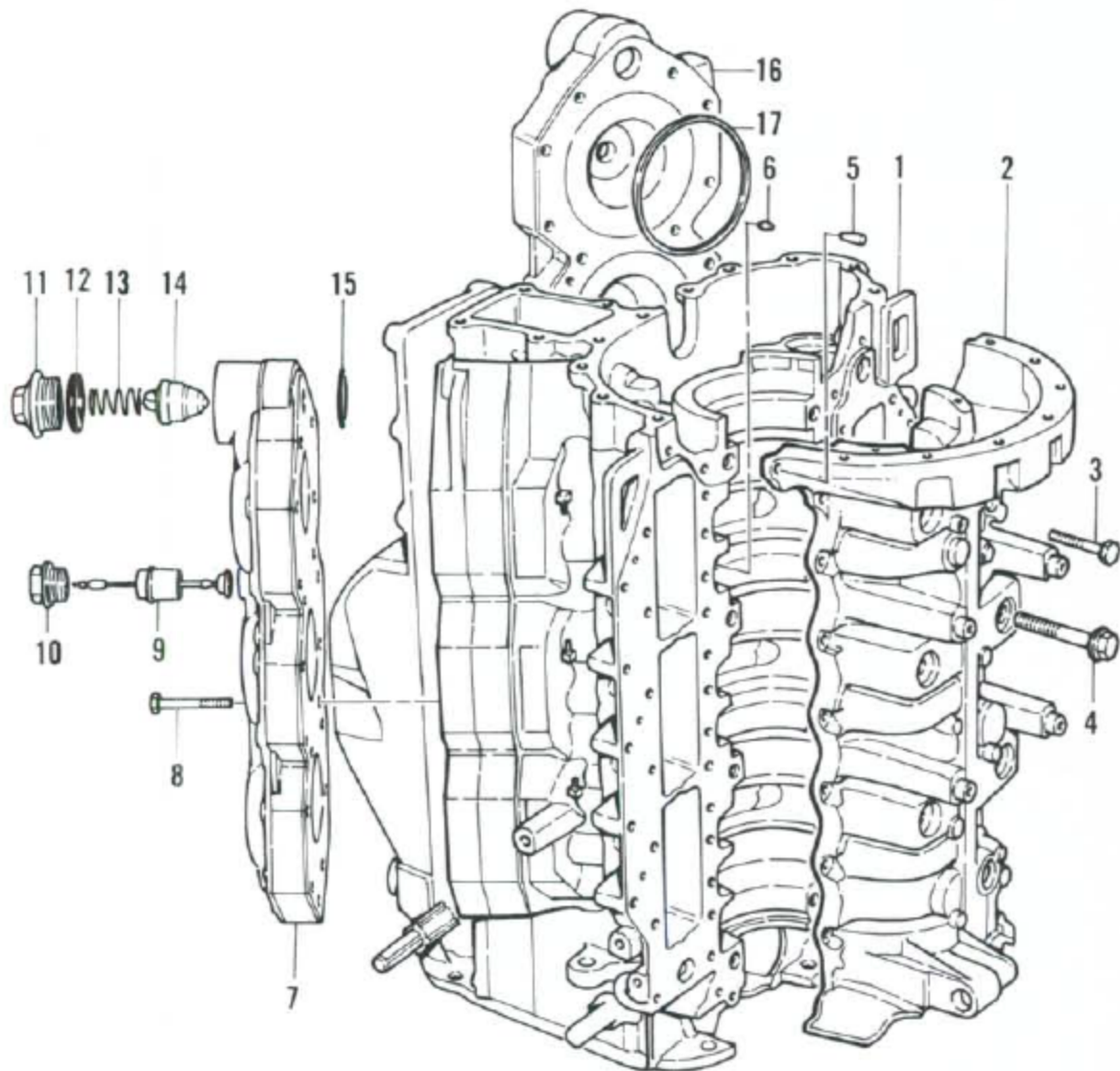


CYLINDER BLOCK AND CRANKCASE COVER ASSEMBLY (60° V6 MODELS)



1. Cylinder block
2. Crankcase cover
3. Screw
4. Screw
5. Taper pin
6. Bearing locating pin
7. Cylinder head
8. Screw
9. Temperature switch

10. Temperature switch cover
11. Thermostat cover
12. O-ring
13. Spring
14. Thermostat
15. Thermostat seal
16. Cylinder head
17. O-ring