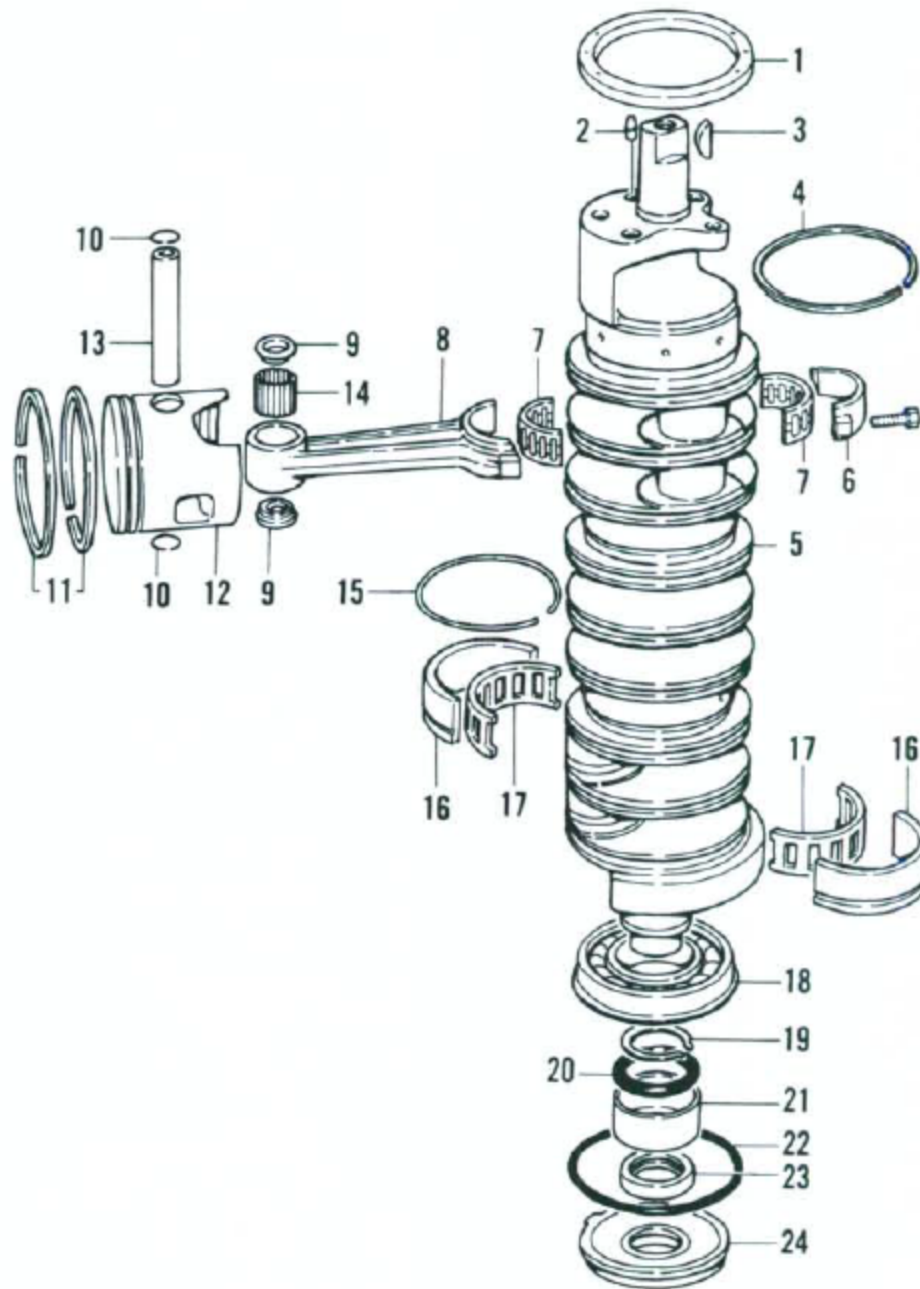


CRANKSHAFT ASSEMBLY AND RELATED COMPONENTS (60° V6 MODELS)



- | | |
|--------------------------------|--|
| 1. Upper seal | 13. Piston pin |
| 2. Flywheel locating pin | 14. Piston pin bearing |
| 3. Flywheel key | 15. Retaining ring |
| 4. Crankshaft seal ring | 16. Main bearing liner |
| 5. Crankshaft | 17. Main bearing half |
| 6. Connecting rod cap | 18. Ball bearing |
| 7. Connecting rod bearing half | 19. Retaining ring |
| 8. Connecting rod | 20. O-ring (except 1991 models) |
| 9. Thrust washer | 21. Crankshaft sleeve (except 1991 models) |
| 10. Piston pin retaining ring | 22. Lower seal |
| 11. Piston rings | 23. O-ring |
| 12. Piston | 24. Seal housing |