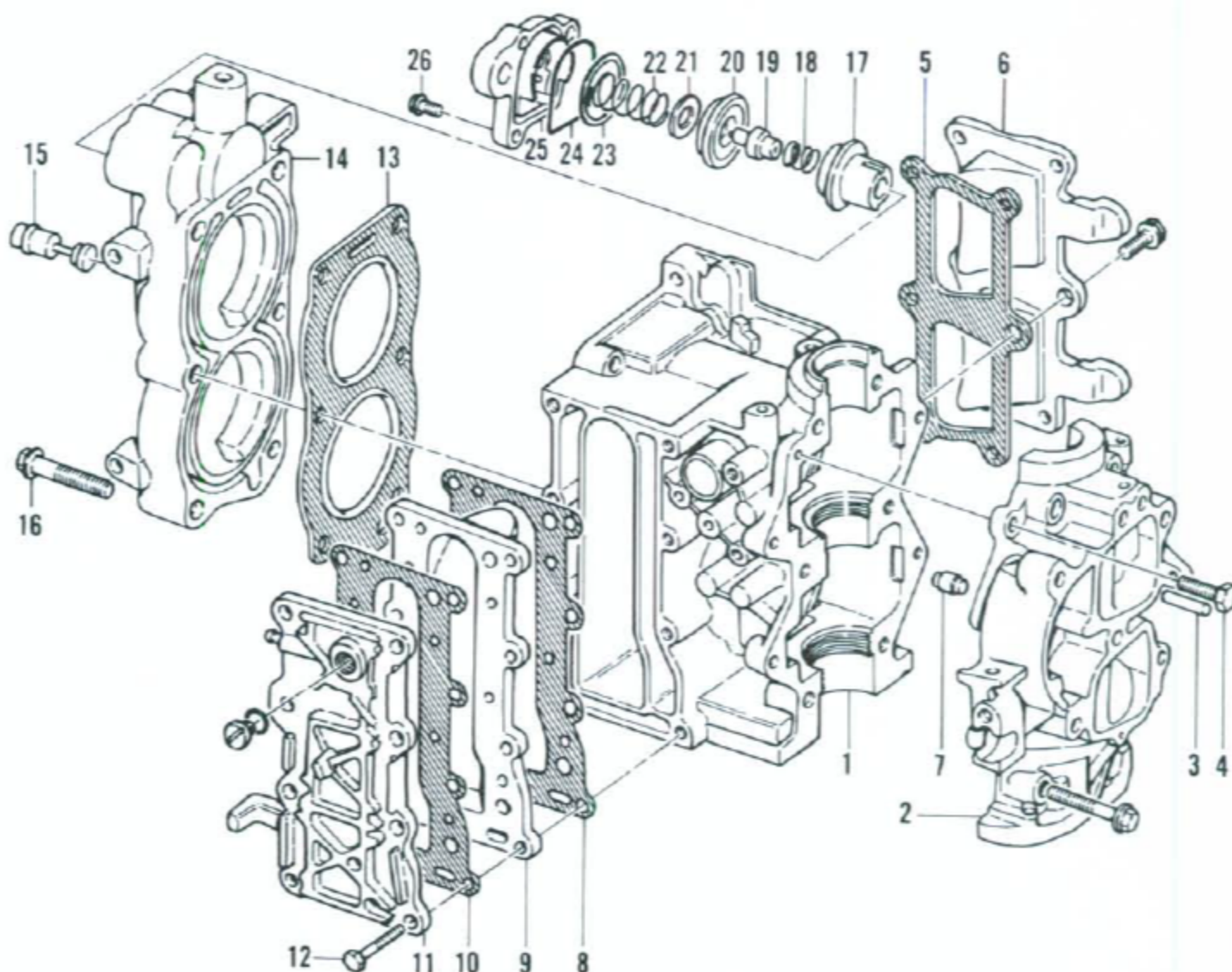


CYLINDER BLOCK AND CRANKCASE ASSEMBLY (9.9-15 HP)



- | | |
|------------------------------|--|
| 1. Cylinder block | 15. Temperature switch (1993 models with remote control) |
| 2. Crankcase cover | 16. Screw |
| 3. Taper pin | 17. Thermostat housing |
| 4. Screw | 18. Spring |
| 5. Gasket | 19. Thermostat |
| 6. Bypass cover | 20. Diaphragm |
| 7. Main bearing locating pin | 21. Cup |
| 8. Gasket | 22. Spring |
| 9. Inner exhaust cover | 23. Washer |
| 10. Gasket | 24. O-ring |
| 11. Outer exhaust cover | 25. Cover |
| 12. Screw | 26. Screw |
| 13. Gasket | |
| 14. Cylinder head | |