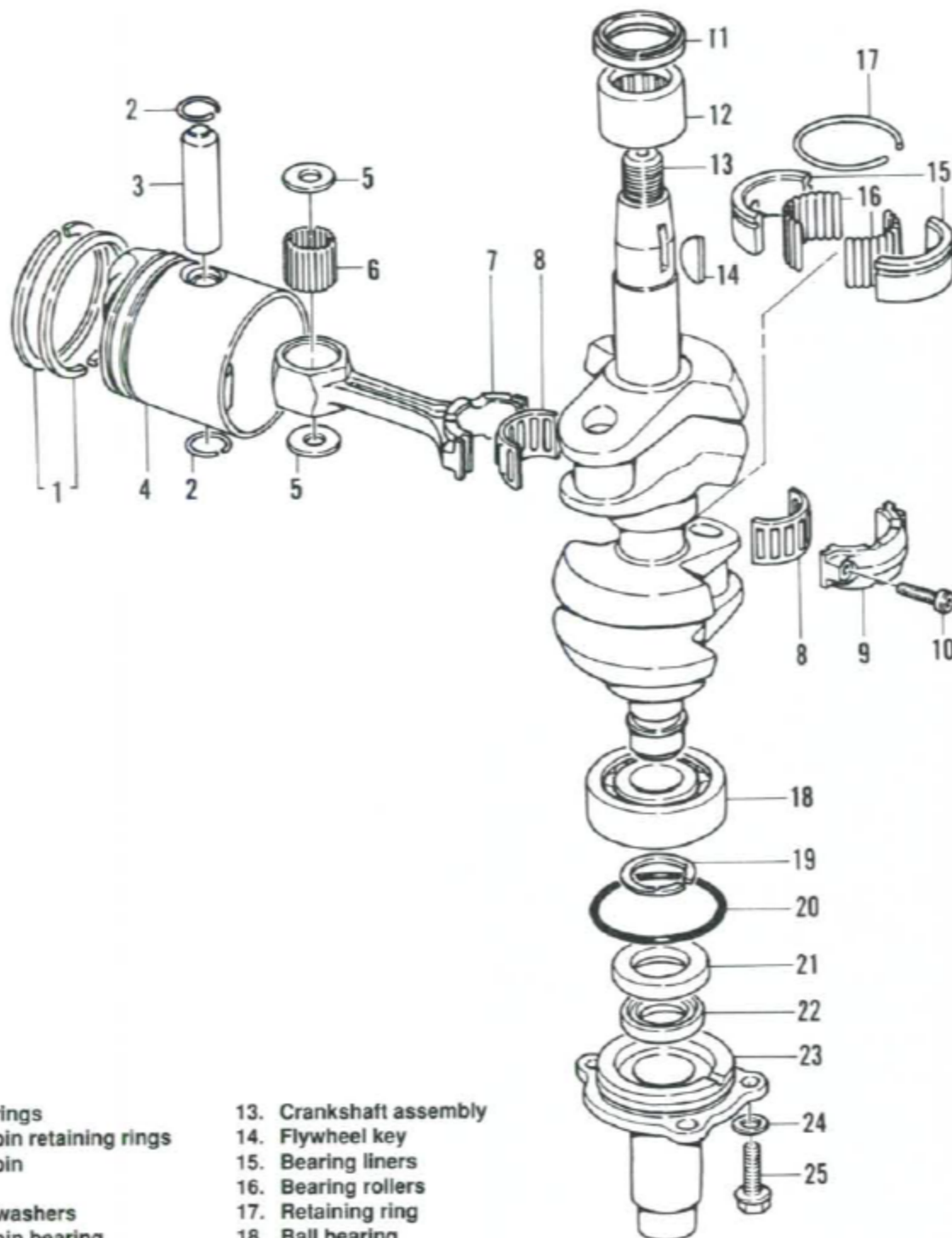


CRANKSHAFT, CONNECTING ROD, PISTON AND RELATED COMPONENTS (9.9-15 HP)



- | | |
|------------------------------------|-------------------------|
| 1. Piston rings | 13. Crankshaft assembly |
| 2. Piston pin retaining rings | 14. Flywheel key |
| 3. Piston pin | 15. Bearing liners |
| 4. Piston | 16. Bearing rollers |
| 5. Thrust washers | 17. Retaining ring |
| 6. Piston pin bearing | 18. Ball bearing |
| 7. Connecting rod | 19. Snap ring |
| 8. Connecting rod bearing assembly | 20. O-ring |
| 9. Connecting rod cap | 21. Seal |
| 10. Screw | 22. Seal |
| 11. Seal | 23. Crankcase head |
| 12. Needle roller bearing | 24. Washer |
| | 25. Screw |