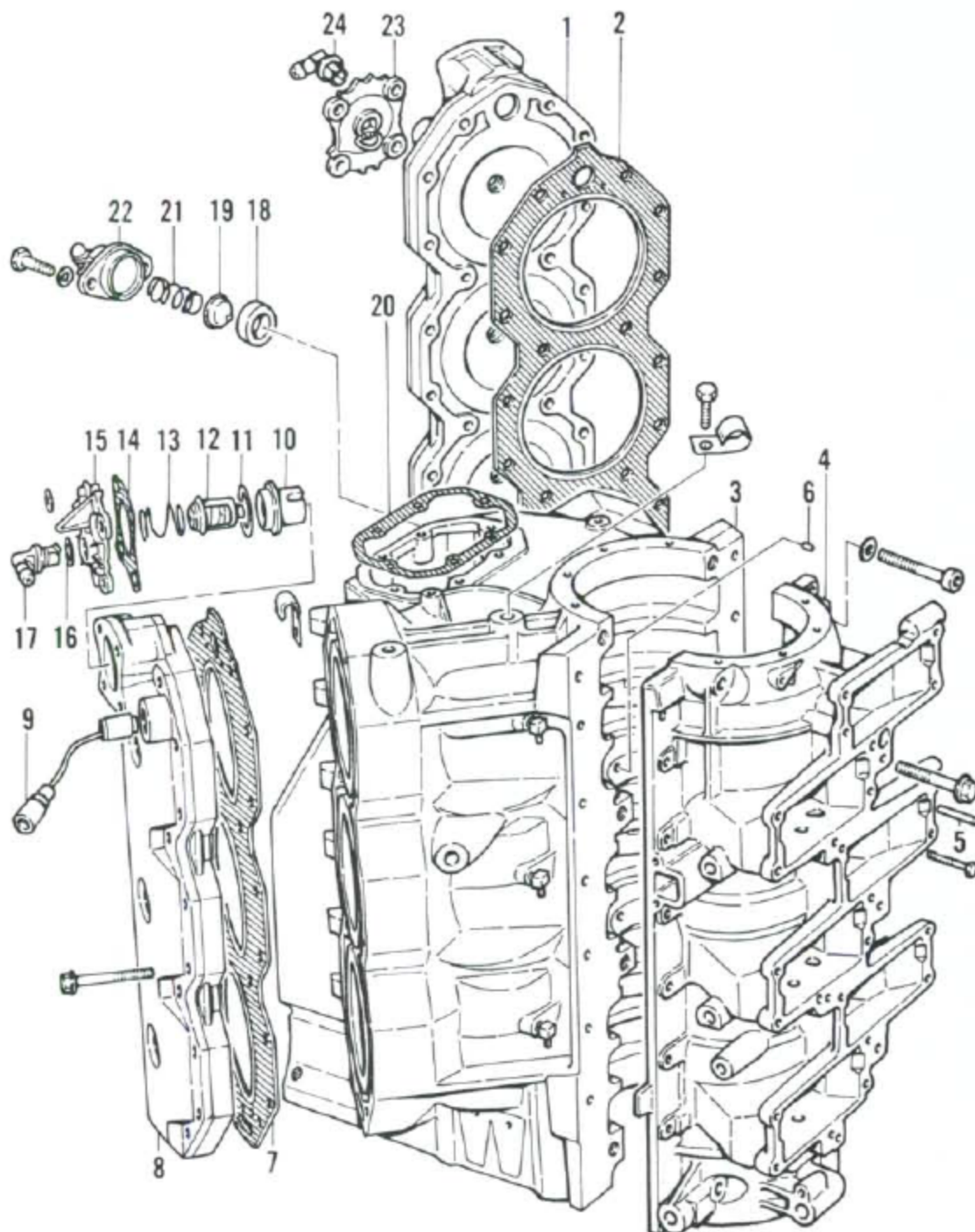


CYLINDER BLOCK, CRANKCASE COVER AND RELATED COMPONENTS (V6 LOOP CHARGED MODELS)



- | | | |
|------------------------------|-----------------------|--|
| 1. Port cylinder head | 9. Temperature switch | 17. Fitting |
| 2. Gasket | 10. Sleeve | 18. Pressure release valve seal |
| 3. Cylinder block | 11. Gasket | 19. Pressure release valve |
| 4. Crankcase cover | 12. Thermostat | 20. Voltage regulator/rectifier gasket |
| 5. Taper pin | 13. Spring | 21. Spring |
| 6. Main bearing locating pin | 14. Gasket | 22. Pressure release valve cover |
| 7. Gasket | 15. Thermostat cover | 23. Thermostat cover |
| 8. Starboard cylinder head | 16. O-ring | 24. Fitting |