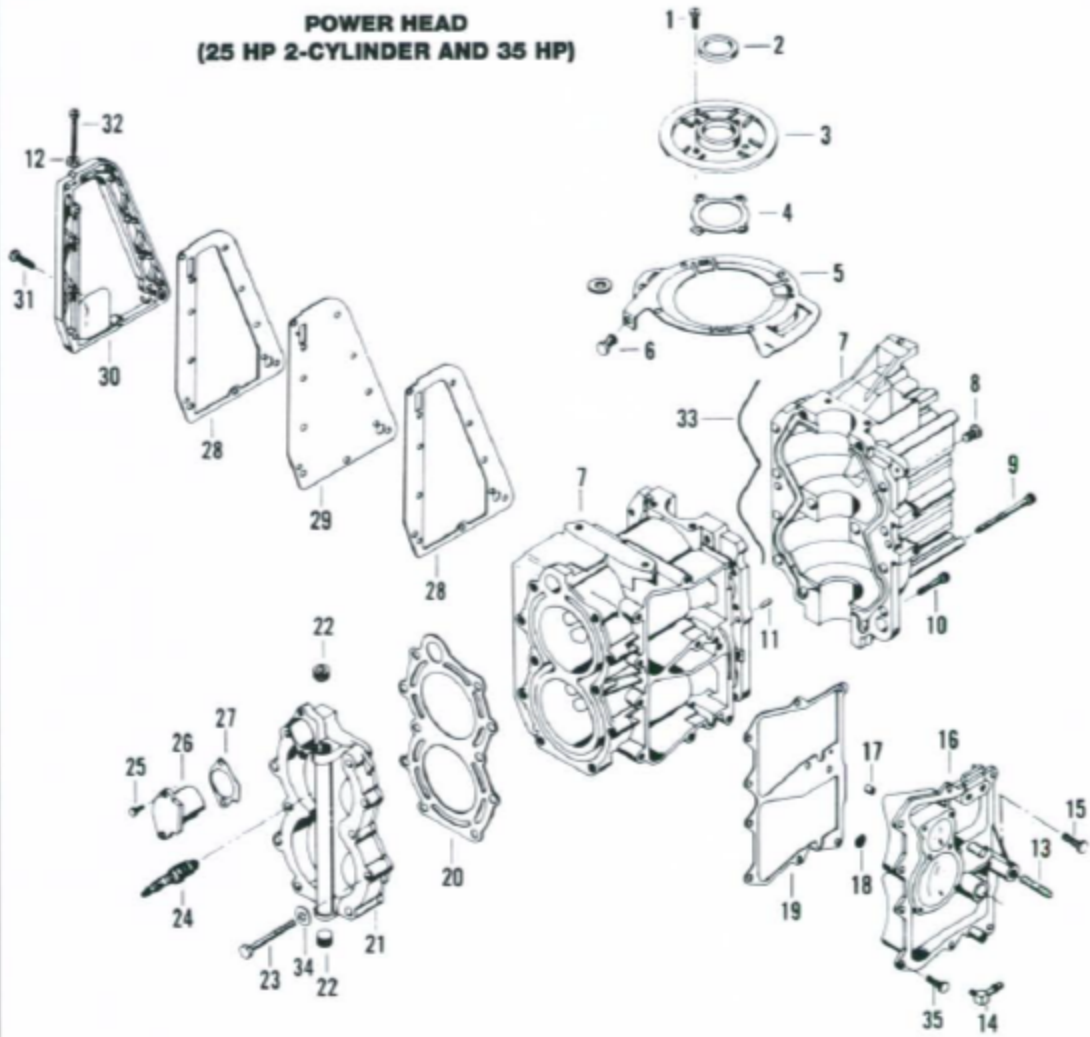


**POWER HEAD
(25 HP 2-CYLINDER AND 35 HP)**



- | | | |
|--|---------------------------|----------------------|
| 1. Screw | 12. Nut | 24. Spark plug |
| 2. Upper crankshaft seal | 13. Gear shift lever stud | 25. Screw |
| 3. Bearing cage | 14. Drain hose fitting | 26. Thermostat cover |
| 4. Gasket | 15. Screw | 27. Gasket |
| 5. Stator ring | 16. Transfer port cover | 28. Gasket |
| 6. Plastic rivet | 17. Check valve | 29. Exhaust plate |
| 7. Cylinder block and crankcase cover assembly | 18. Screen | 30. Exhaust cover |
| 8. Screw | 19. Gasket | 31. Screw |
| 9. Socket head screw (long) | 20. Gasket | 32. Screw |
| 10. Socket head screw (short) | 21. Cylinder head | 33. Crankcase seal |
| 11. Locating pin | 22. Plug | 34. Washer |
| | 23. Screw | 35. Screw |