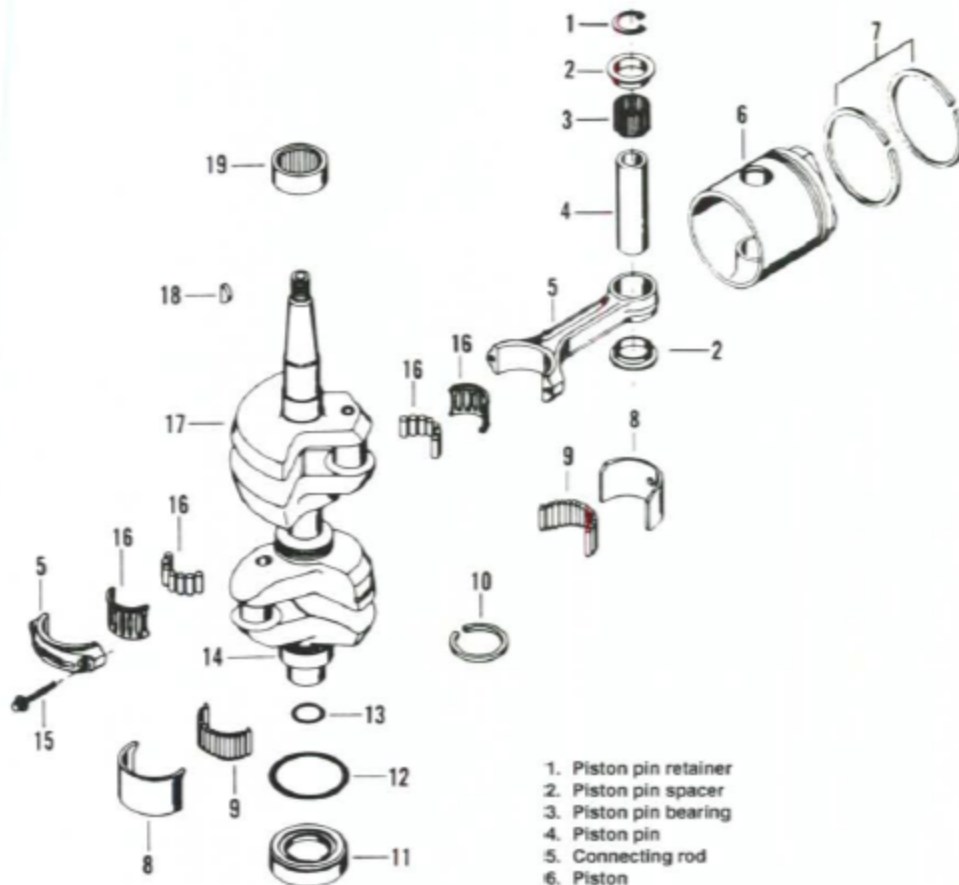


**CRANKSHAFT AND PISTONS
(25 HP 2-CYLINDER AND 35 HP)**



1. Piston pin retainer
2. Piston pin spacer
3. Piston pin bearing
4. Piston pin
5. Connecting rod
6. Piston
7. Piston rings
8. Center main bearing liner
9. Center main bearings
10. Crankcase seal
11. Crankshaft lower seal and collar
12. Crankshaft collar seal
13. Crankshaft spline seal
14. Crankshaft lower main bearing
15. Connecting rod screw
16. Bearing cage and roller bearing assembly
17. Crankshaft
18. Flywheel key
19. Crankshaft upper main bearing