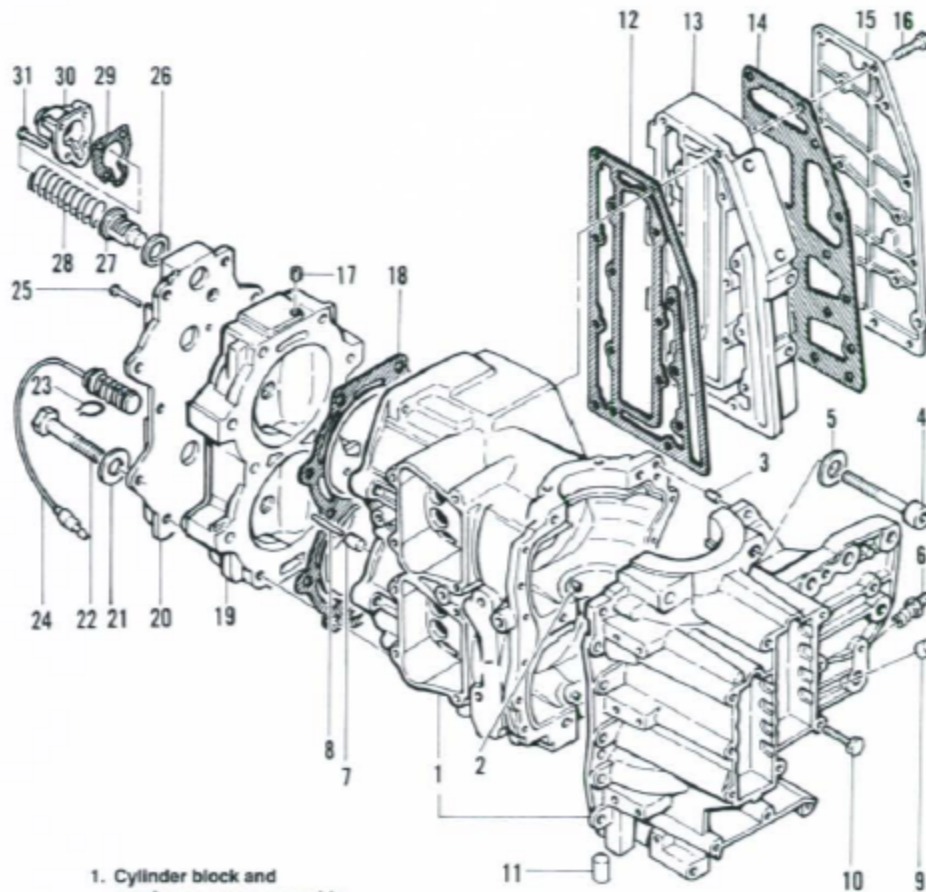


POWER HEAD (LATE 40 AND 50 HP MODELS)



- | | |
|--|-------------------------------|
| 1. Cylinder block and crankcase cover assembly | 18. Gasket |
| 2. Bearing locating pin | 19. Cylinder head |
| 3. Crankcase cover locating dowel | 20. Cylinder head cover |
| 4. Main bearing screws | 21. Washer |
| 5. Washer | 22. Screw |
| 6. Check valve (recirculation) | 23. Retaining ring |
| 7. Water deflector | 24. Water temperature switch |
| 8. Water deflector pin | 25. Cylinder head cover screw |
| 9. Metering cup | 26. Grommet |
| 10. Crankcase cover outer bolts | 27. Thermostat |
| 11. Dowel pin | 28. Thermostat spring |
| 12. Gasket | 29. Gasket |
| 13. Inner exhaust cover | 30. Thermostat cover |
| 14. Gasket | 31. Screw. |
| 15. Outer exhaust cover | |
| 16. Screw | |
| 17. Pipe plug (cylinder head) | |