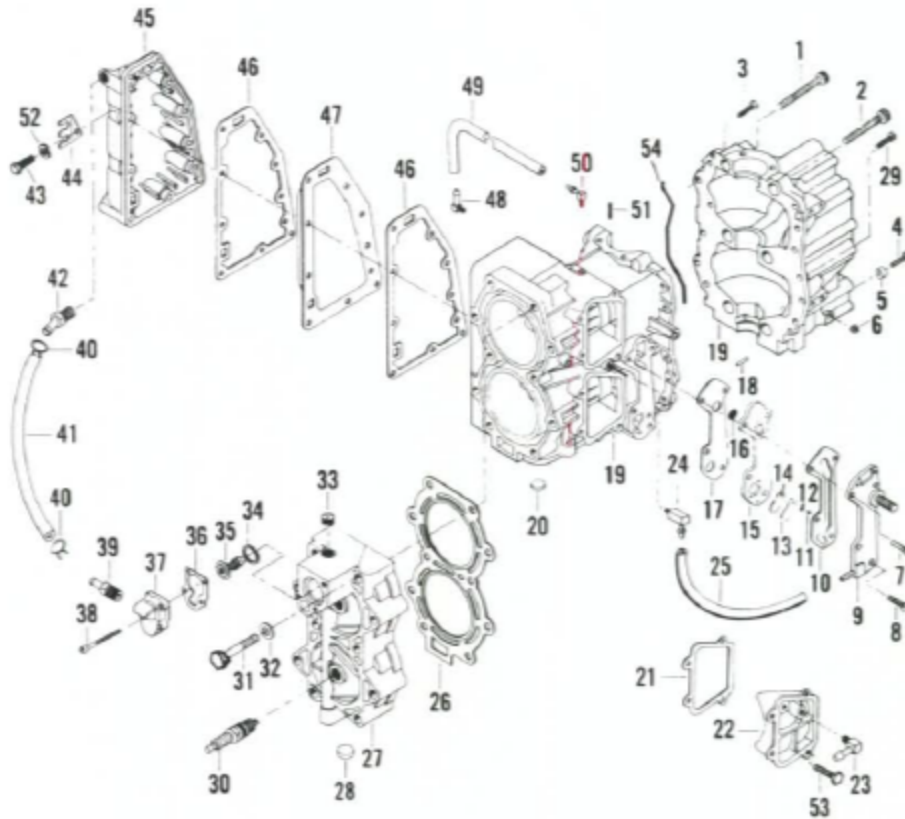


**POWER HEAD
(EARLY 40 AND 50 HP MODELS)**



- | | | |
|---|--------------------------------|-------------------------------|
| 1. Socket head cap screw (long) | 20. Welch plug | 38. Screw |
| 2. Socket head cap screw (short) | 21. Transfer port cover gasket | 39. Thermostat fitting |
| 3. Slot head screw | 22. Transfer port cover | 40. Clamp |
| 4. Screw | 23. Fuel line elbow | 41. Thermostat water tube |
| 5. Bumper | 24. Elbow | 42. Thermostat fitting |
| 6. Stop nut | 25. Hose | 43. Screw |
| 7. Pan head screw | 26. Cylinder head gasket | 44. Lead wire clip |
| 8. Screw | 27. Cylinder head | 45. Exhaust port cover |
| 9. Drain cover | 28. Welch plug | 46. Exhaust port plate gasket |
| 10. Drain cover gasket | 29. Screw (short) | 47. Exhaust port plate |
| 11. Screw | 30. Spark plug | 48. Fitting |
| 12. Plain washer | 31. Screw (long) | 49. Elbow |
| 13. Drain reed stop | 32. Plain washer | 50. Elbow with metering cup |
| 14. Drain reed | 33. Pipe plug | 51. Roll pin |
| 15. Drain reed plate | 34. Thermostat grommet | 52. Spring lockwasher |
| 16. Drain reed plate screen | 35. Thermostat | 53. Screw |
| 17. Drain reed plate gasket | 36. Thermostat cover gasket | 54. Spaghetti seal |
| 18. Locating pin | 37. Thermostat cover | |
| 19. Cylinder and crankcase cover assembly | | |