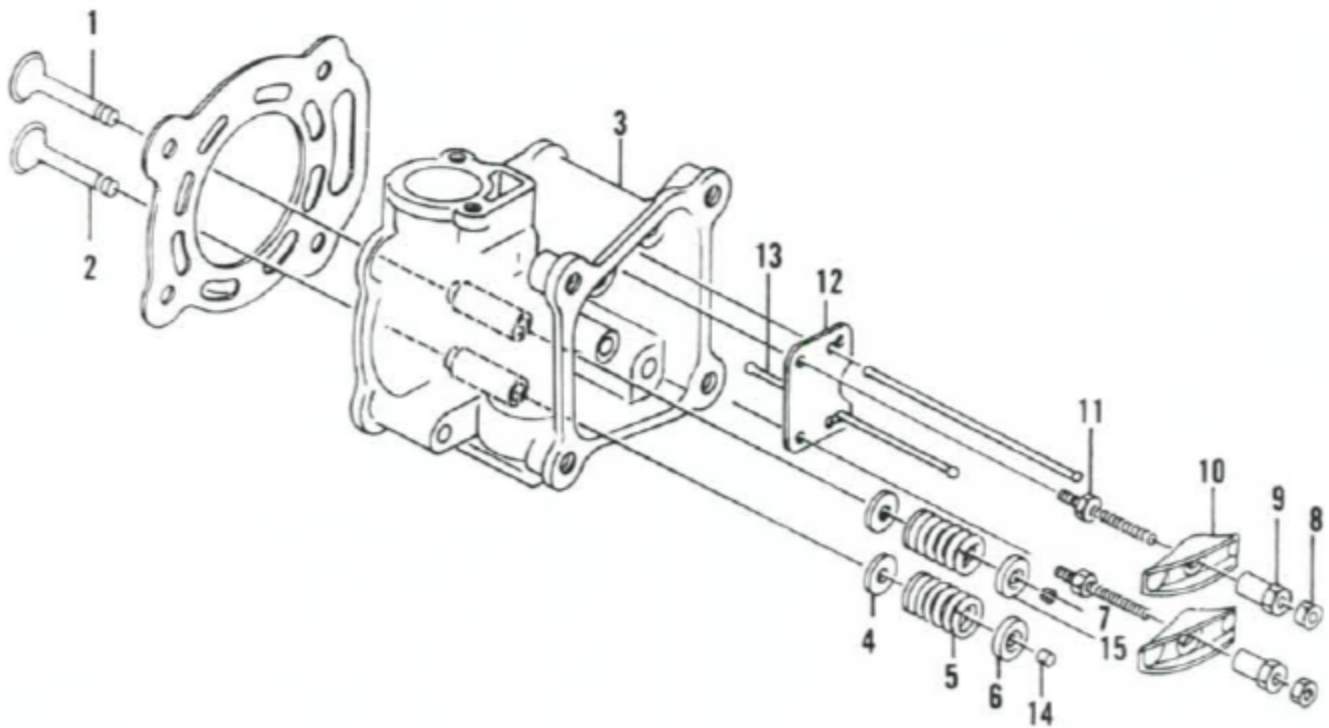


CYLINDER HEAD COMPONENTS (MODELS BF50 AND BF5A)



- | | |
|-------------------------|-------------------------|
| 1. Intake valve | 11. Rocker arm stud |
| 2. Exhaust valve | 12. Guide plate |
| 3. Cylinder head | 13. Push rod |
| 4. Spring base | 14. Valve rotator |
| 5. Valve spring | 15. Spring cap (intake) |
| 6. Spring cap (exhaust) | |
| 7. Keepers (intake) | |
| 8. Locknut | |
| 9. Adjusting nut | |
| 10. Rocker arm | |