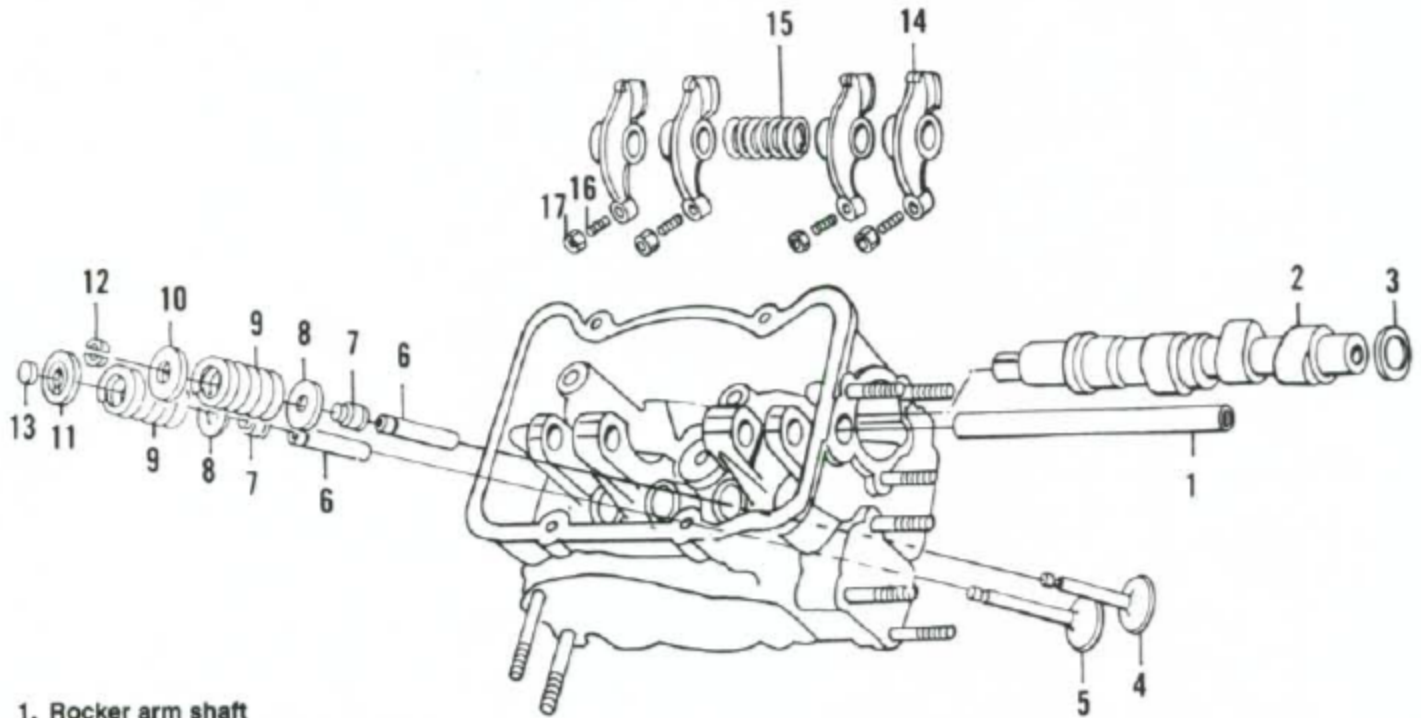


CYLINDER HEAD COMPONENTS (MODELS BF9.9A AND BF15A)



1. Rocker arm shaft
2. Camshaft
3. Thrust washer
4. Intake valve
5. Exhaust valve
6. Valve guide
7. Seal
8. Spring base
9. Spring
10. Spring cap (Intake)

11. Spring cap (exhaust)
12. Keepers
13. Valve rotator
14. Rocker arm
15. Spring
16. Adjusting screw
17. Locknut