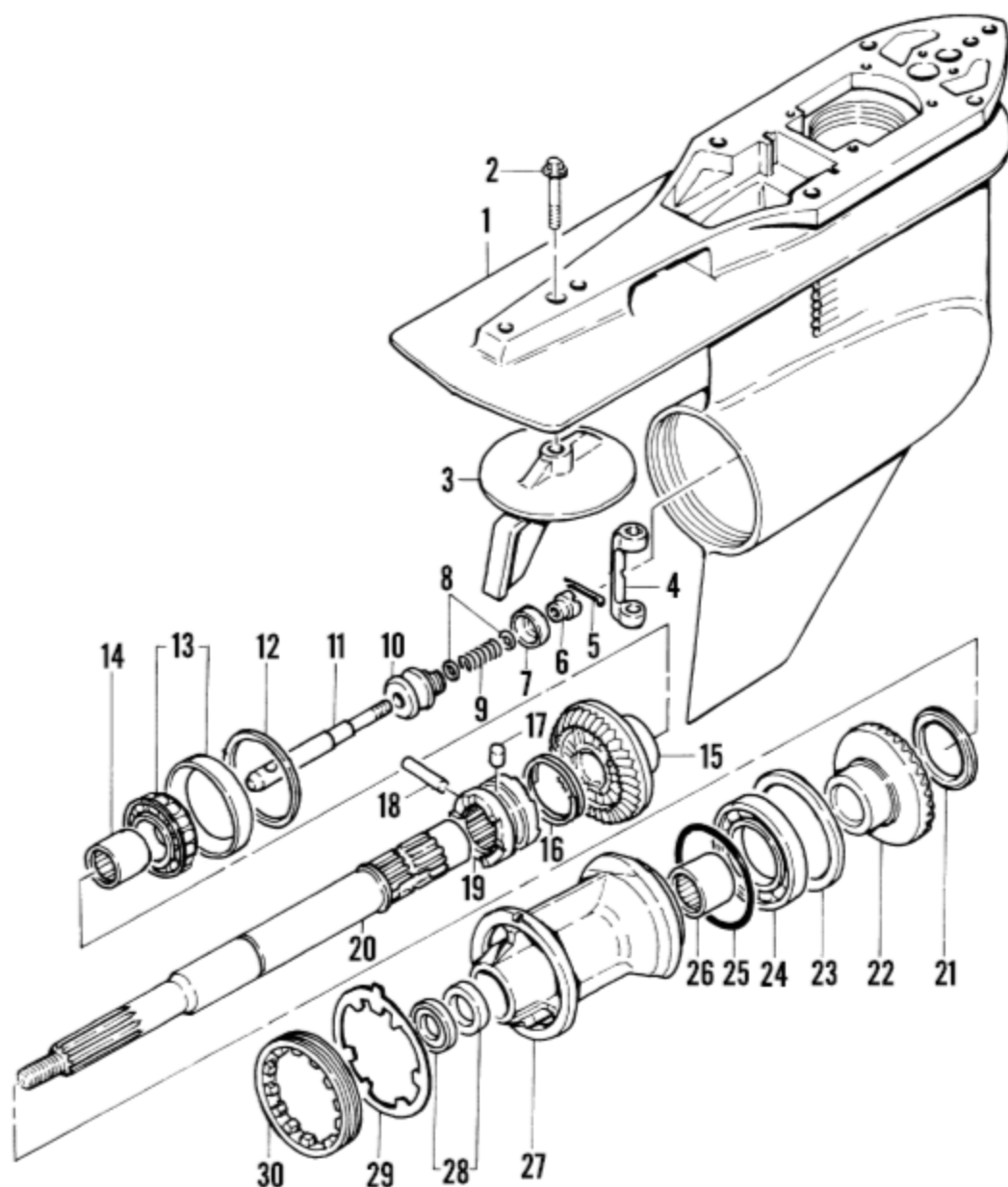


PROPELLER SHAFT COMPONENTS (200 HP OPTIMAX, 200 HP AND 225 HP MODELS)



- | | |
|----------------------------------|---------------------------|
| 1. Gearcase housing | 16. Retainer spring |
| 2. Trim tab or anodic plate bolt | 17. Shift detent pin |
| 3. Trim tab or anodic plate | 18. Cross pin |
| 4. Shift crank | 19. Sliding clutch |
| 5. Cotter pin | 20. Propeller shaft |
| 6. Castle nut | 21. Thrust washer |
| 7. Retainer cup* | 22. Reverse gear |
| 8. Washers* | 23. Thrust washer |
| 9. Spring* | 24. Ball bearing |
| 10. Shift spool | 25. O-ring |
| 11. Clutch actuator rod | 26. Needle bearing |
| 12. Shim pack | 27. Bearing carrier |
| 13. Roller bearing assembly | 28. Propeller shaft seals |
| 14. Needle bearing assembly | 29. Tabbed locking washer |
| 15. Forward gear | 30. Retaining ring |

*Not used on all models