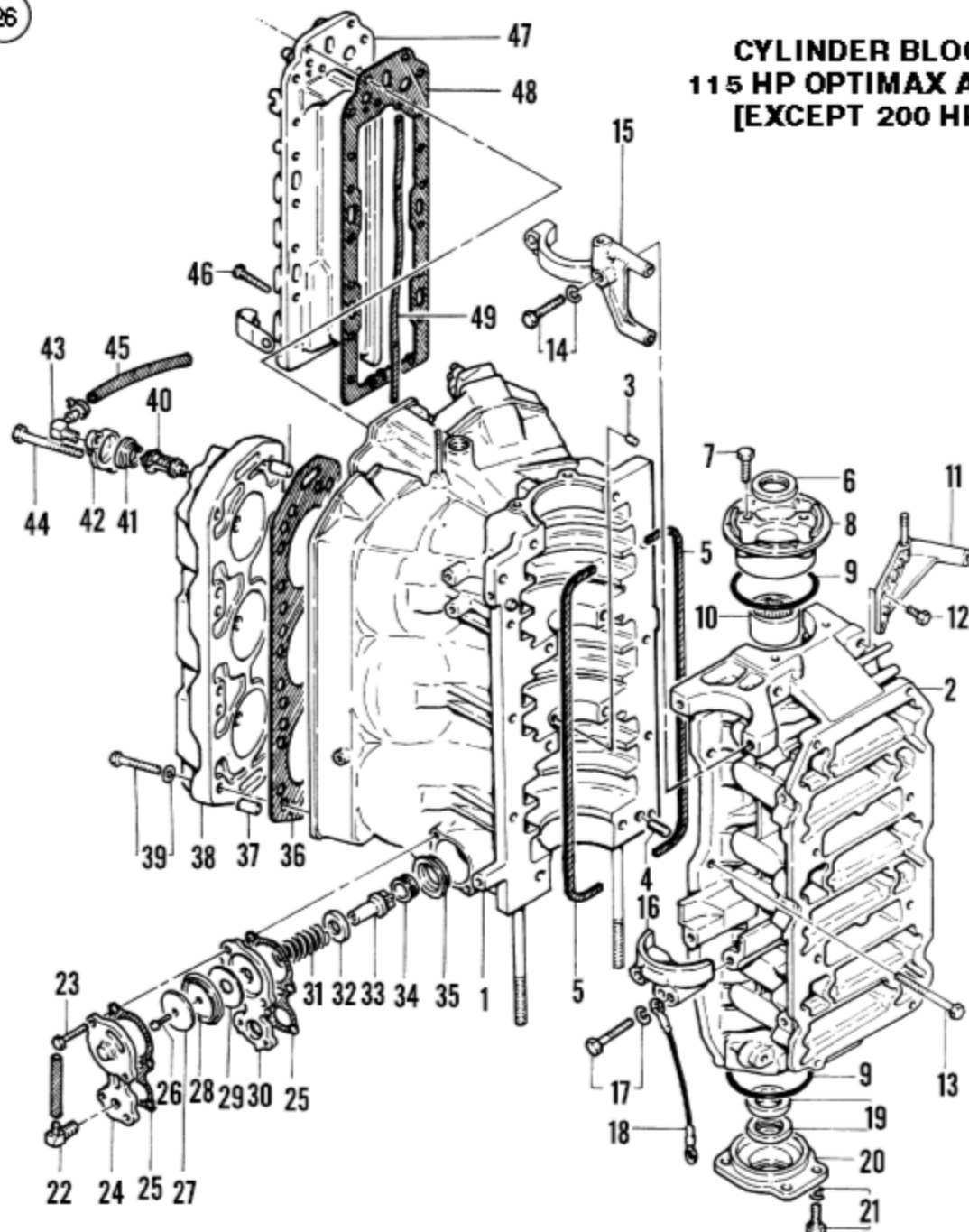


**CYLINDER BLOCK (105 JET,  
115 HP OPTIMAX AND 135-200 HP  
[EXCEPT 200 HP OPTIMAX])**



- |                              |                                |                     |                            |
|------------------------------|--------------------------------|---------------------|----------------------------|
| 1. Cylinder block            | 14. Bolt and washer            | 26. Screw           | 38. Cylinder head          |
| 2. Crankcase cover           | 15. Upper starter bracket      | 27. Washer          | 39. Bolt and washer        |
| 3. Bearing locating dowel    | 16. Lower starter bracket      | 28. Diaphragm       | 40. Thermostat             |
| 4. Crankcase cover dowel pin | 17. Bolt and washer            | 29. Water deflector | 41. Grommet                |
| 5. Crankcase sealing ring    | 18. Ground strap               | 30. Inner plate     | 42. Thermostat housing     |
| 6. Crankshaft upper seal     | 19. Crankshaft lower seals     | 31. Spring          | 43. Fitting                |
| 7. Bolt                      | 20. Lower end cap              | 32. Washer          | 44. Bolt                   |
| 8. Upper end cap             | 21. Bolt and washer            | 33. Poppet valve    | 45. Hose (water discharge) |
| 9. O-ring                    | 22. Fitting (water discharge)* | 34. Grommet         | 46. Bolt                   |
| 10. Caged needle bearing     | 23. Screw                      | 35. Carrier         | 47. Exhaust divider plate  |
| 11. Bracket                  | 24. Outer plate                | 36. Head gasket*    | 48. Gasket                 |
| 12. Bolt                     | 25. Gaskets                    | 37. Dowel pins      | 49. Sealing strip          |
| 13. Crankcase cover bolt     |                                |                     |                            |

\*Not used on all models.