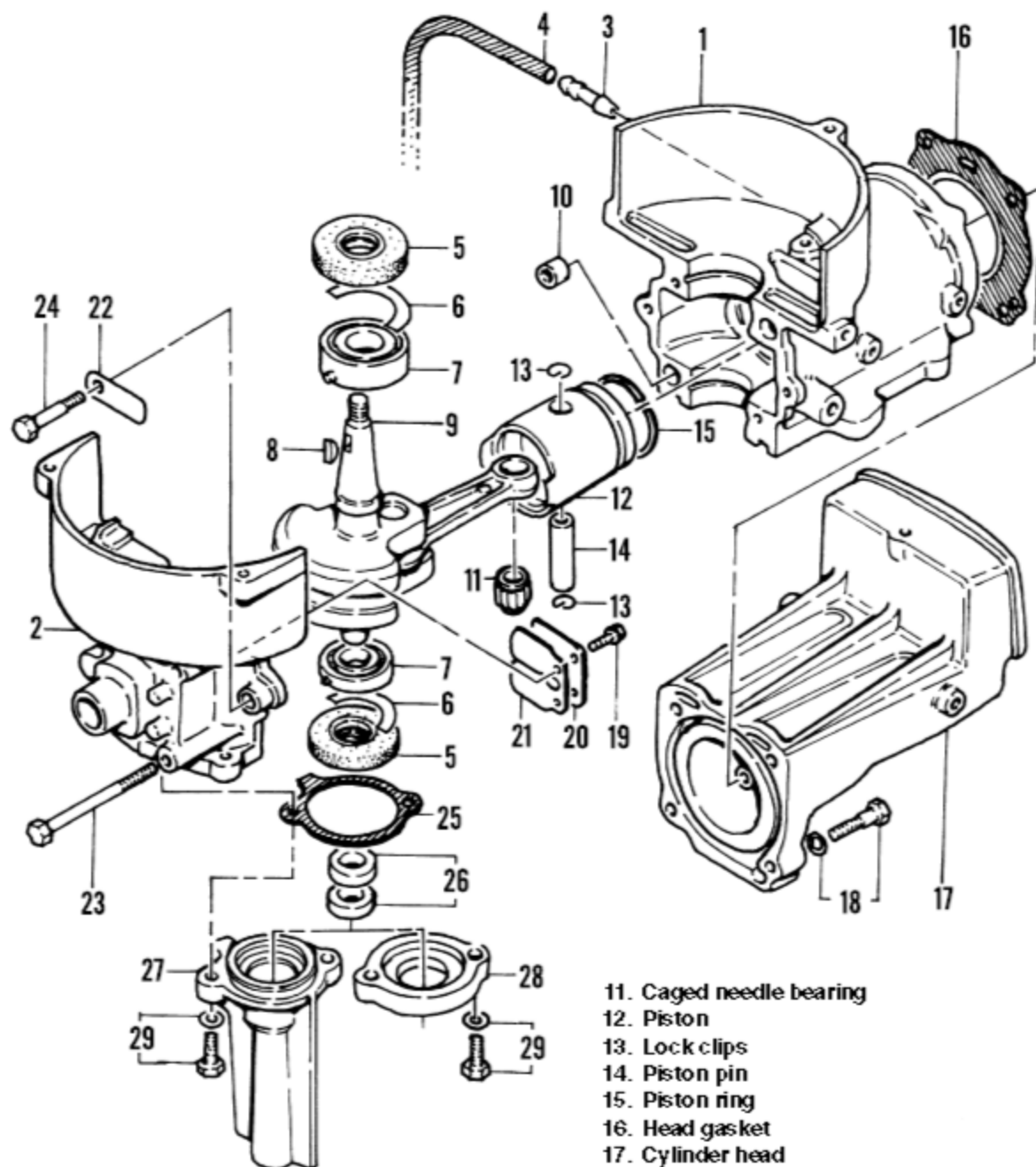


## POWER HEAD COMPONENTS (2.5 AND 3.3 HP MODELS)



1. Cylinder block
2. Crankcase cover
3. Fitting
4. Water discharge (tell-tale) hose
5. Crankshaft seal
6. Half-moon retainer clips
7. Ball bearings
8. Flywheel key
9. Crankshaft assembly
10. Dowel

11. Caged needle bearing
12. Piston
13. Lock clips
14. Piston pin
15. Piston ring
16. Head gasket
17. Cylinder head
18. Screw and washer
19. Screw
20. Reed stop
21. Reed petals
22. Clamp plate
23. Long screw
24. Short screw
25. Gasket (3.3 hp)
26. Seals (3.3 hp)
27. Extended lower end cap (3.3 hp)
28. Lower end cap (2.5 hp)
29. Screw and washer