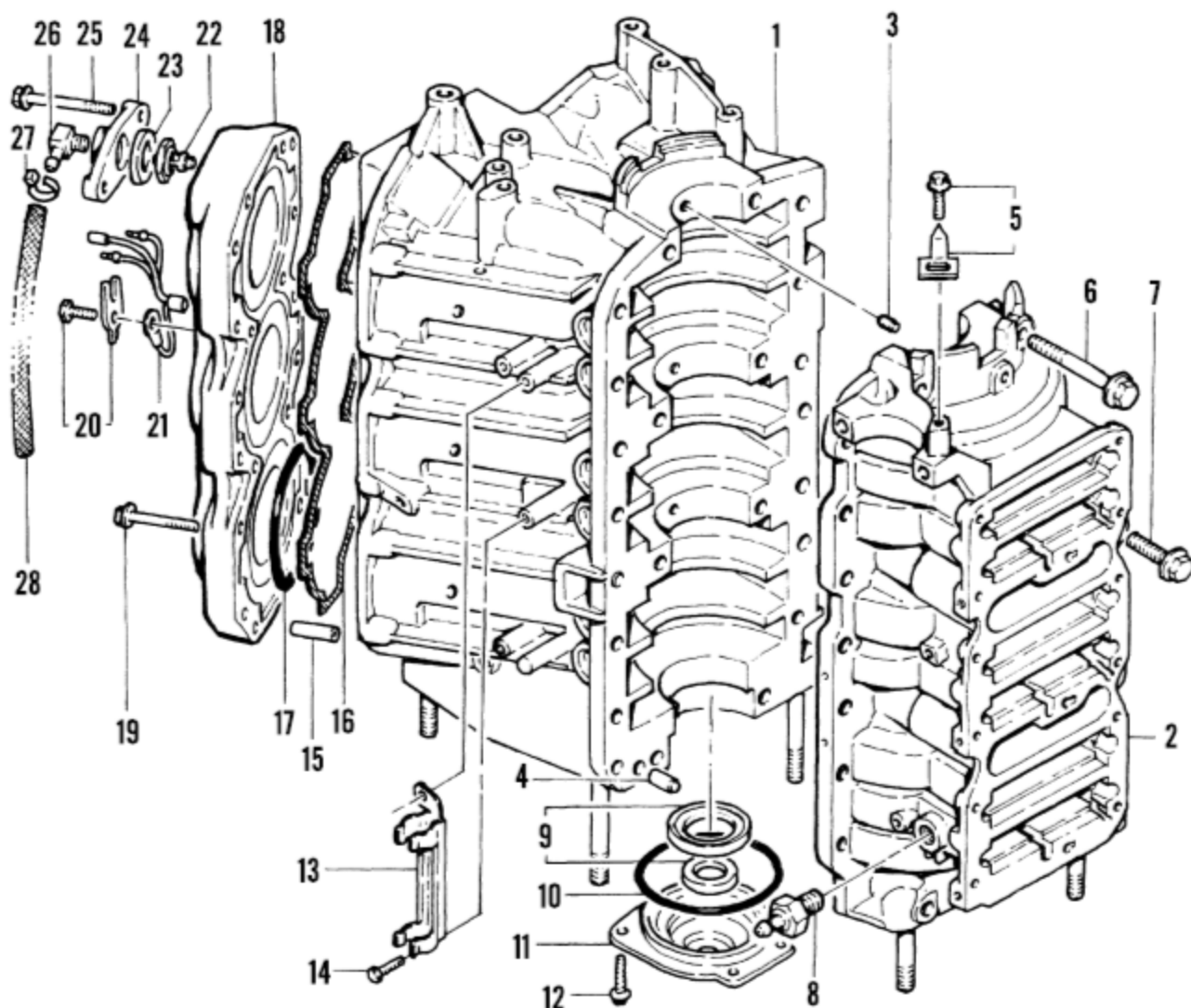


## CYLINDER BLOCK (200 HP OPTIMAX, 225 HP AND 250 HP MODELS)



- |                                    |                                           |
|------------------------------------|-------------------------------------------|
| 1. Cylinder block                  | 15. Cylinder head dowel                   |
| 2. Crankcase cover                 | 16. Water jacket seal                     |
| 3. Bearing locating dowel          | 17. O-ring                                |
| 4. Crankcase dowel pin             | 18. Cylinder head                         |
| 5. Timing pointer*                 | 19. Cylinder head bolt                    |
| 6. Main bearing bolt (large)       | 20. Retainer plate and bolt               |
| 7. Outer crankcase bolt (small)    | 21. ECT sensor                            |
| 8. Pulse fitting (remote oil tank) | 22. Thermostat                            |
| 9. Crankshaft lower seals          | 23. Gasket                                |
| 10. O-ring                         | 24. Thermostat housing                    |
| 11. Lower end cap                  | 25. Thermostat housing/cylinder head bolt |
| 12. Bolt                           | 26. Water discharge fitting*              |
| 13. Main harness connector bracket | 27. Tie-strap                             |
| 14. Screw                          | 28. Water discharge hose                  |

\*Not used on all models