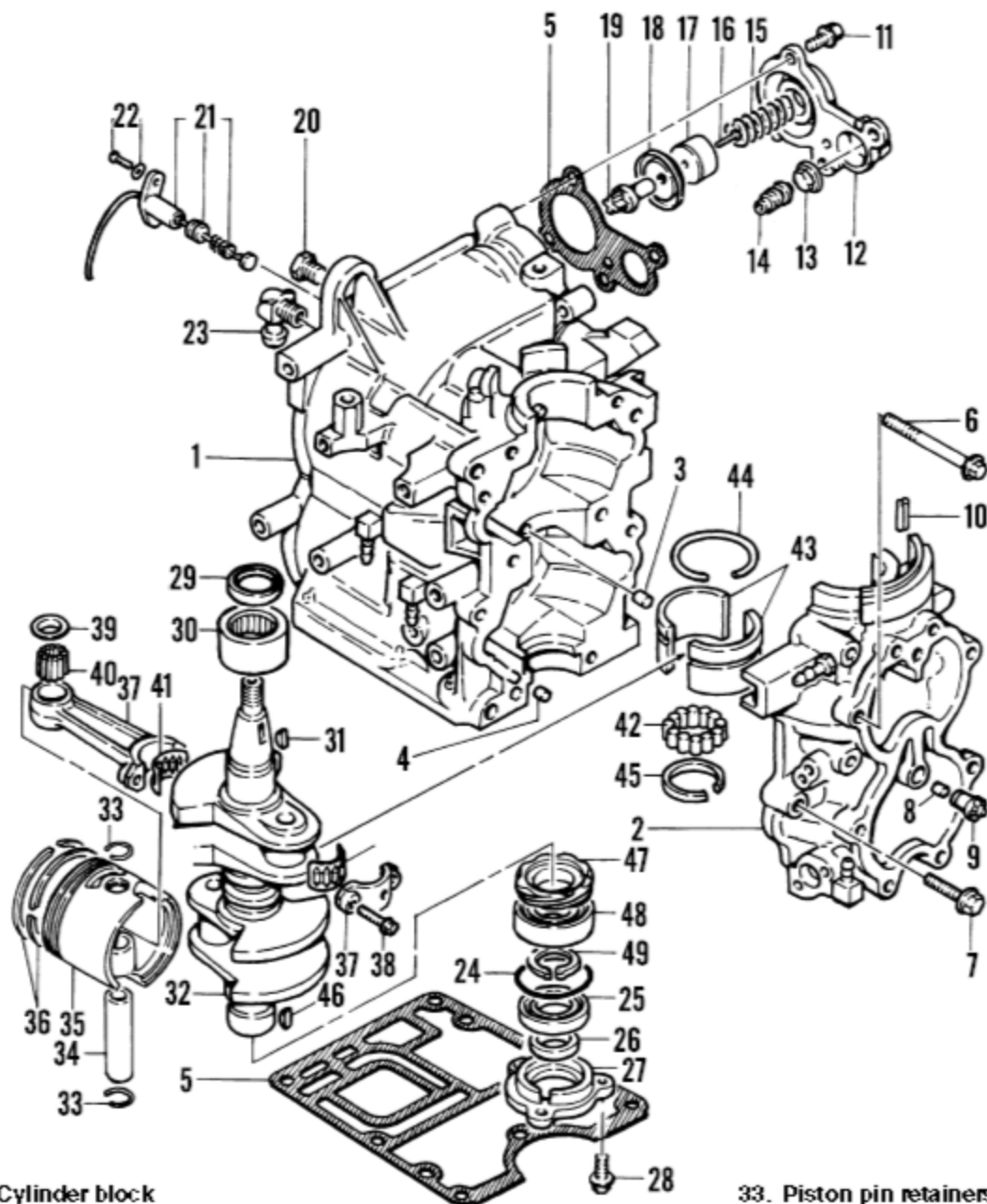


## POWER HEAD COMPONENTS (30 AND 40 HP MODELS [TWO-CYLINDER])



- |                         |                                    |                                 |
|-------------------------|------------------------------------|---------------------------------|
| 1. Cylinder block       | 18. Diaphragm                      | 33. Piston pin retainers        |
| 2. Crankcase cover      | 19. Poppet valve                   | 34. Piston pin                  |
| 3. Bearing locating pin | 20. Brass pipe plug                | 35. Piston                      |
| 4. Dowel pin            | 21. Engine temperature switch      | 36. Piston rings                |
| 5. Gaskets              | 22. Screw and washer               | 37. Connecting rod and rod cap  |
| 6. Long screw           | 23. Water hose (tell-tale) fitting | 38. Screw                       |
| 7. Short screw          | 24. O-ring                         | 39. Thrust washer               |
| 8. Check valve          | 25. Large crankshaft seal          | 40. Loose needle bearings       |
| 9. Check valve carrier  | 26. Small crankshaft seal          | 41. Caged roller bearing halves |
| 10. Roll pin            | 27. Lower end cap                  | 42. Loose needle bearings       |
| 11. Thermostat screw    | 28. Screw                          | 43. Bearing race halves         |
| 12. Thermostat housing  | 29. Crankshaft upper seal          | 44. Bearing retainer ring       |
| 13. Thermostat grommet  | 30. Caged needle bearing           | 45. Crankshaft seal ring        |
| 14. Thermostat          | 31. Flywheel key                   | 46. Drive key                   |
| 15. Spring              | 32. Crankshaft                     | 47. Oil pump drive gear         |
| 16. Screw               |                                    | 48. Ball bearing                |
| 17. Cup                 |                                    | 49. Retaining ring              |