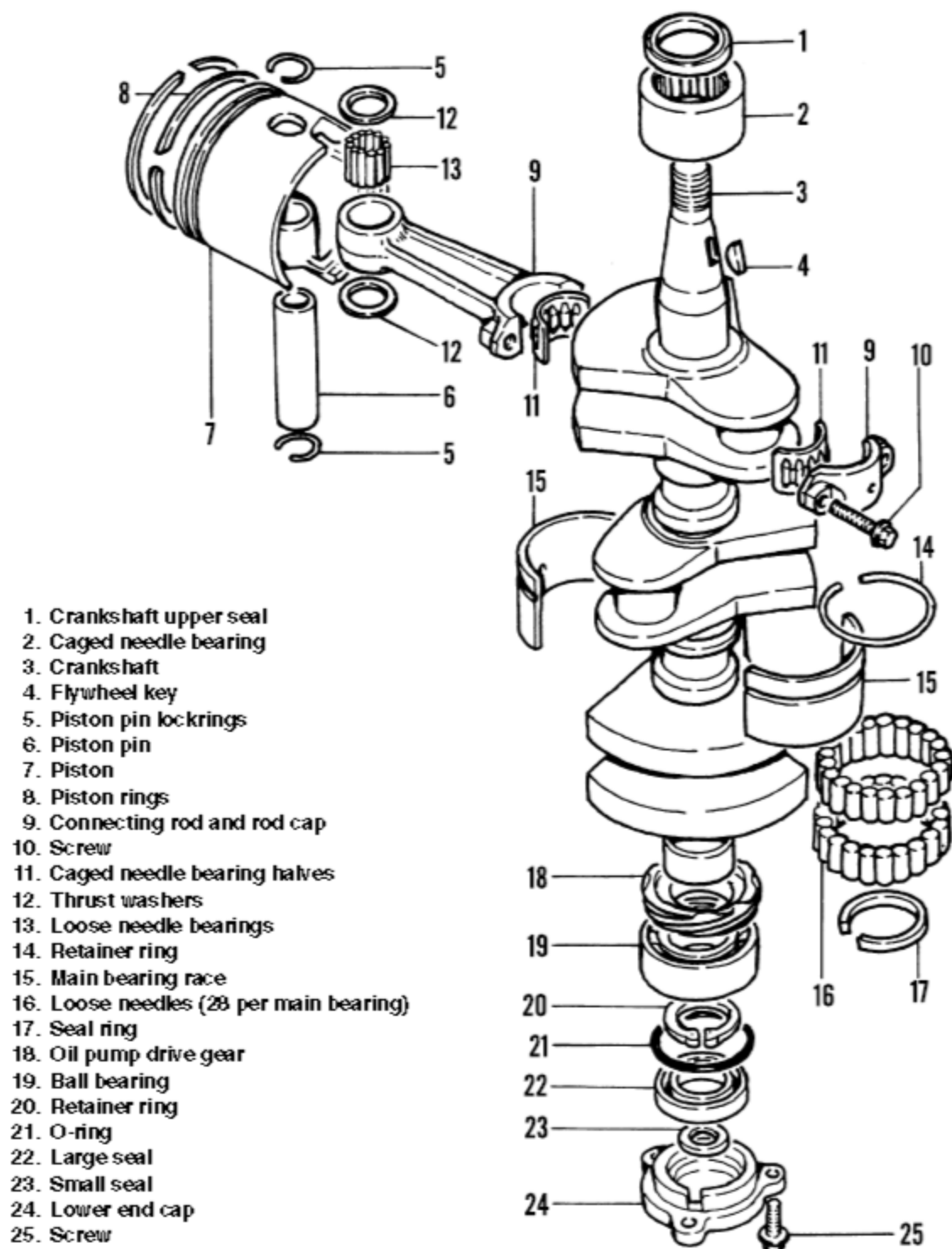


CRANKSHAFT ASSEMBLY (40-60 HP, 30 JET AND 45 JET MODELS)



1. Crankshaft upper seal
2. Caged needle bearing
3. Crankshaft
4. Flywheel key
5. Piston pin lockrings
6. Piston pin
7. Piston
8. Piston rings
9. Connecting rod and rod cap
10. Screw
11. Caged needle bearing halves
12. Thrust washers
13. Loose needle bearings
14. Retainer ring
15. Main bearing race
16. Loose needles (28 per main bearing)
17. Seal ring
18. Oil pump drive gear
19. Ball bearing
20. Retainer ring
21. O-ring
22. Large seal
23. Small seal
24. Lower end cap
25. Screw