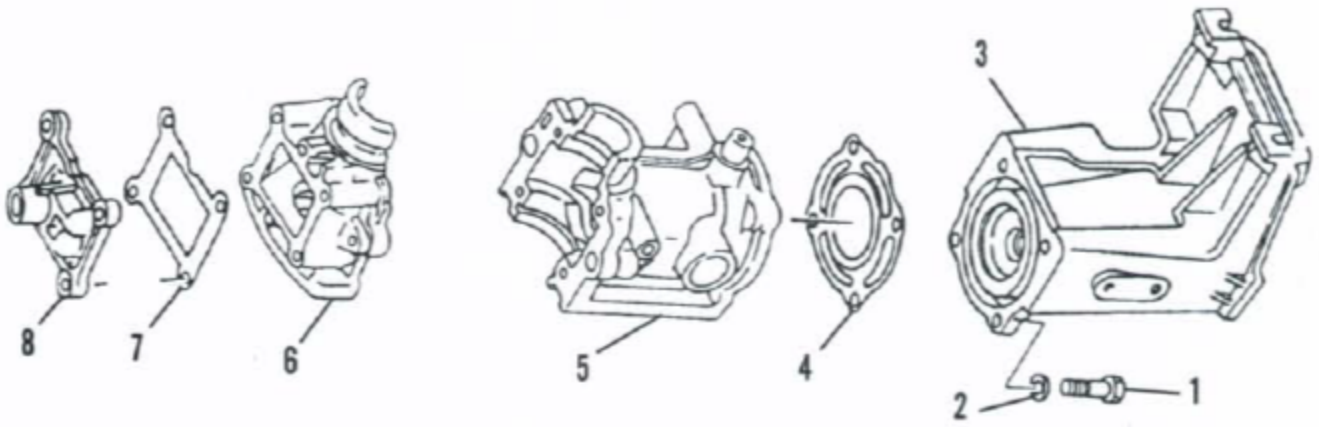


**CYLINDER BLOCK, CYLINDER HEAD AND WATER JACKET
(MODELS DT2 AND DT2.2)**



- | | |
|------------------|------------------------|
| 1. Bolt | 5. Cylinder block |
| 2. Washer | 6. Crankcase cover |
| 3. Cylinder head | 7. Gasket |
| 4. Gasket | 8. Reed housing/intake |