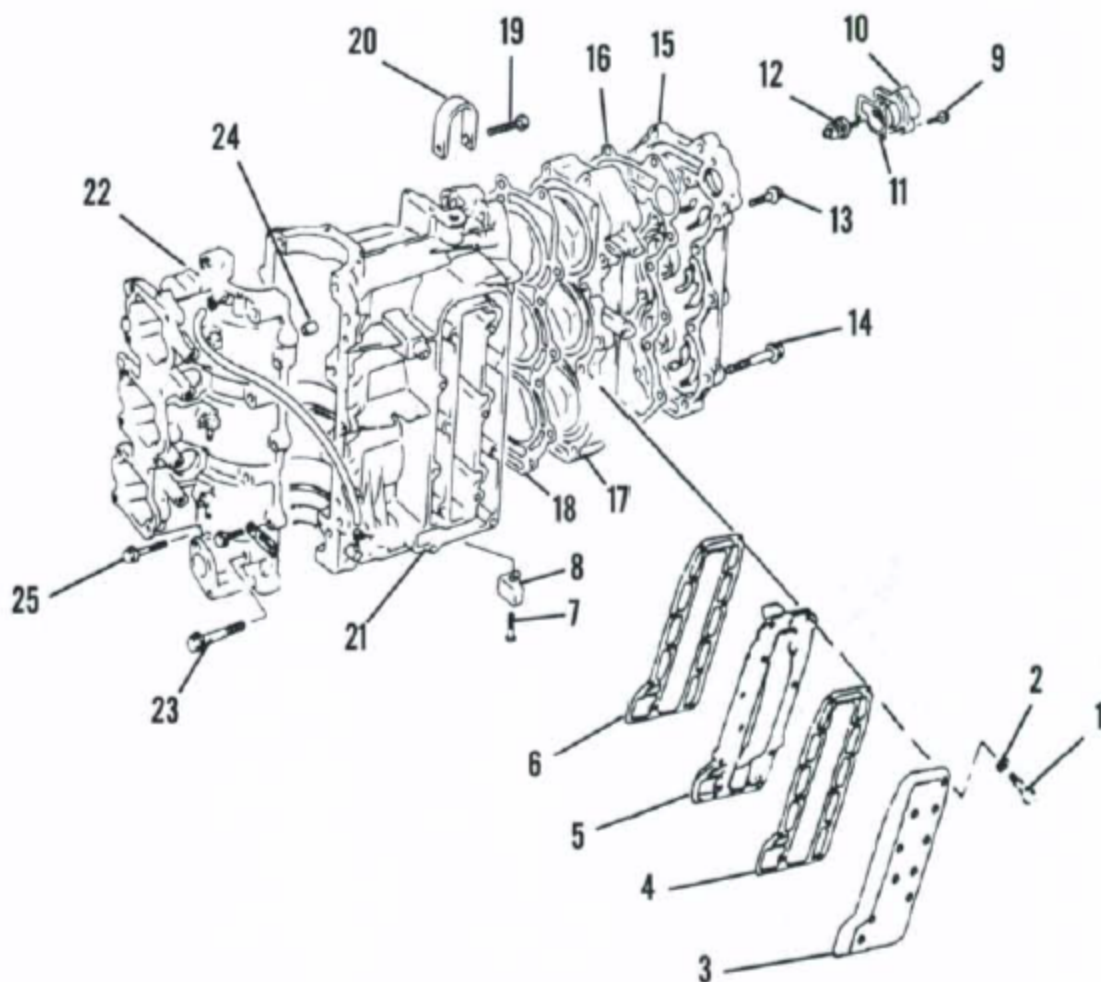


CYLINDER BLOCK, CYLINDER HEAD AND WATER JACKET (MODELS DT25 AND DT30)



- | | |
|-----------------------|-------------------------|
| 1. Bolt | 14. Bolt |
| 2. Washer | 15. Cylinder head cover |
| 3. Water jacket cover | 16. Gasket |
| 4. Gasket | 17. Cylinder head |
| 5. Exhaust cover | 18. Gasket |
| 6. Gasket | 19. Bolt |
| 7. Screw | 20. Lifting hook |
| 8. Anode | 21. Cylinder block |
| 9. Bolt | 22. Crankcase cover |
| 10. Thermostat cover | 23. Bolt |
| 11. Gasket | 24. Dowel pin |
| 12. Thermostat | 25. Bolt |
| 13. Bolt | |