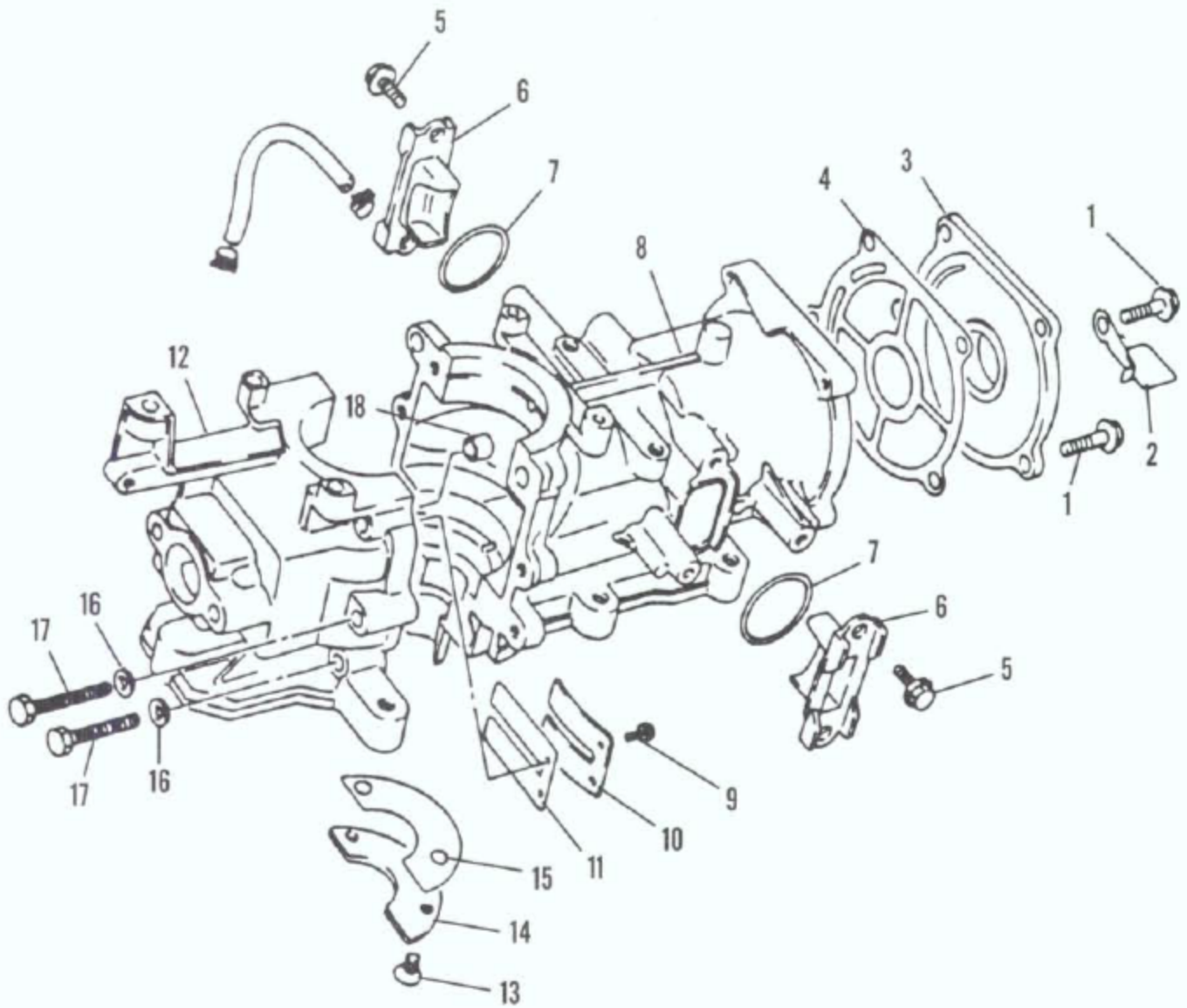


CYLINDER BLOCK, CYLINDER HEAD AND WATER JACKET (MODELS DT4 AND DT5)



- | | |
|------------------------|------------------------|
| 1. Bolt | 10. Reed stop |
| 2. Retainer | 11. Reed valve |
| 3. Water jacket cover | 12. Crankcase cover |
| 4. Gasket | 13. Screw |
| 5. Bolt | 14. Water jacket cover |
| 6. Transfer port cover | 15. Gasket |
| 7. O-ring | 16. Washer |
| 8. Cylinder block | 17. Bolt |
| 9. Screw | |