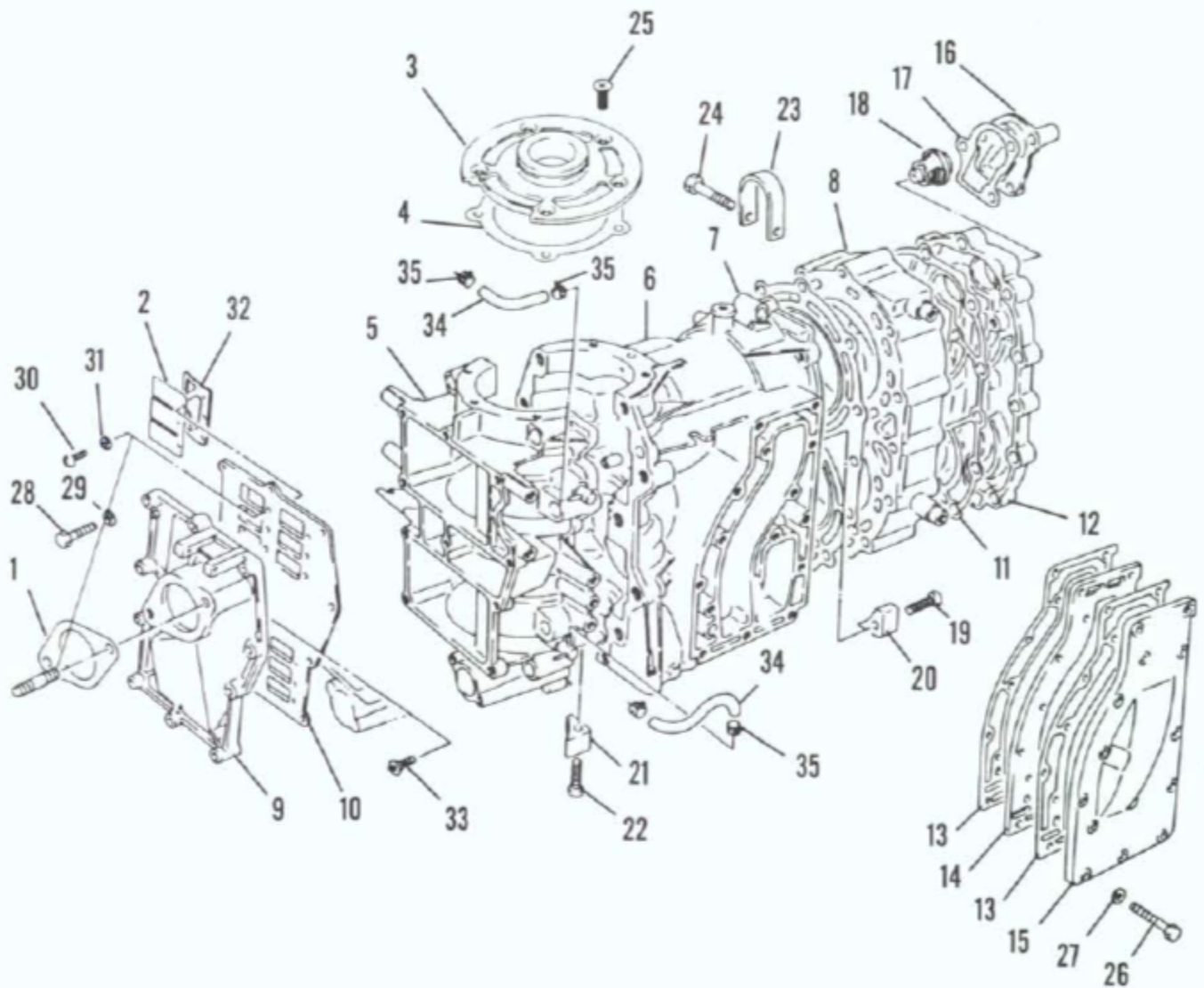


CYLINDER BLOCK, CYLINDER HEAD AND WATER JACKET (MODEL DT40)



- | | | |
|---------------------------------|-------------------------|----------------|
| 1. Carburetor gasket | 12. Cylinder head cover | 24. Bolt |
| 2. Reed valve | 13. Gasket | 25. Screw |
| 3. Upper cover | 14. Exhaust cover | 26. Bolt |
| 4. Gasket | 15. Water jacket cover | 27. Washer |
| 5. Crankcase cover | 16. Thermostat cover | 28. Bolt |
| 6. Cylinder block | 17. Gasket | 29. Washer |
| 7. Head gasket | 18. Thermostat | 30. Screw |
| 8. Cylinder head | 19. Screw | 31. Washer |
| 9. Reed housing/intake manifold | 20. Anode | 32. Reed stop |
| 10. Reed plate | 21. Anode | 33. Screw |
| 11. Gasket | 22. Screw | 34. Hose |
| | 23. Lifting hook | 35. Hose clamp |