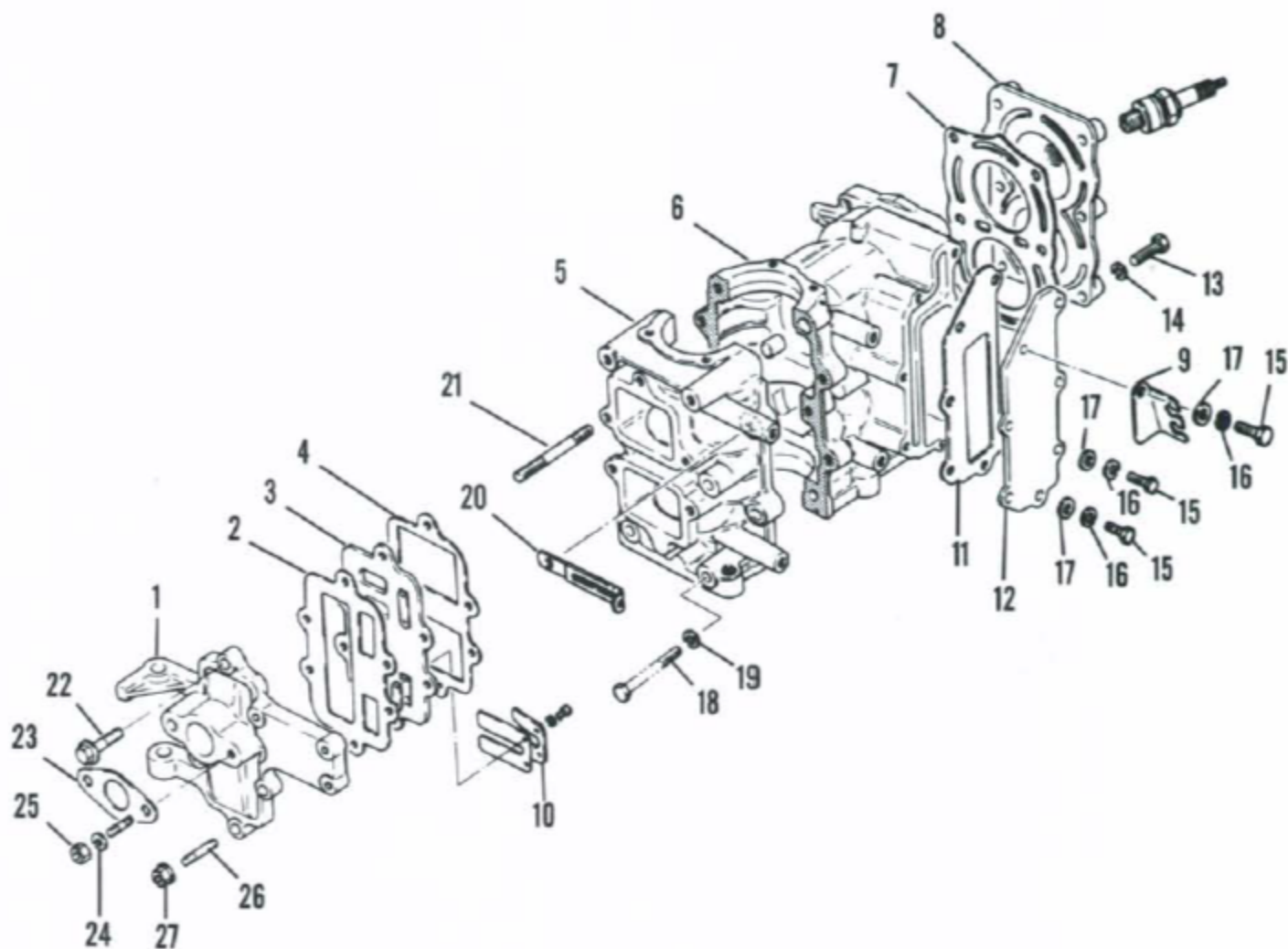


CYLINDER BLOCK, CYLINDER HEAD AND WATER JACKET (MODEL DT6)



- | | |
|---------------------------------|-----------------------|
| 1. Reed housing/intake manifold | 15. Bolt |
| 2. Gasket | 16. Lockwasher |
| 3. Reed plate | 17. Washer |
| 4. Gasket | 18. Bolt |
| 5. Crankcase cover | 19. Washer |
| 6. Cylinder block | 20. Hose retainer |
| 7. Head gasket | 21. Stud |
| 8. Cylinder head | 22. Bolt |
| 9. Spark plug lead retainer | 23. Carburetor gasket |
| 10. Reed valve/reed stop | 24. Washer |
| 11. Gasket | 25. Nut |
| 12. Water jacket/exhaust cover | 26. Stud |
| 13. Bolt | 27. Nut |
| 14. Lockwasher | |