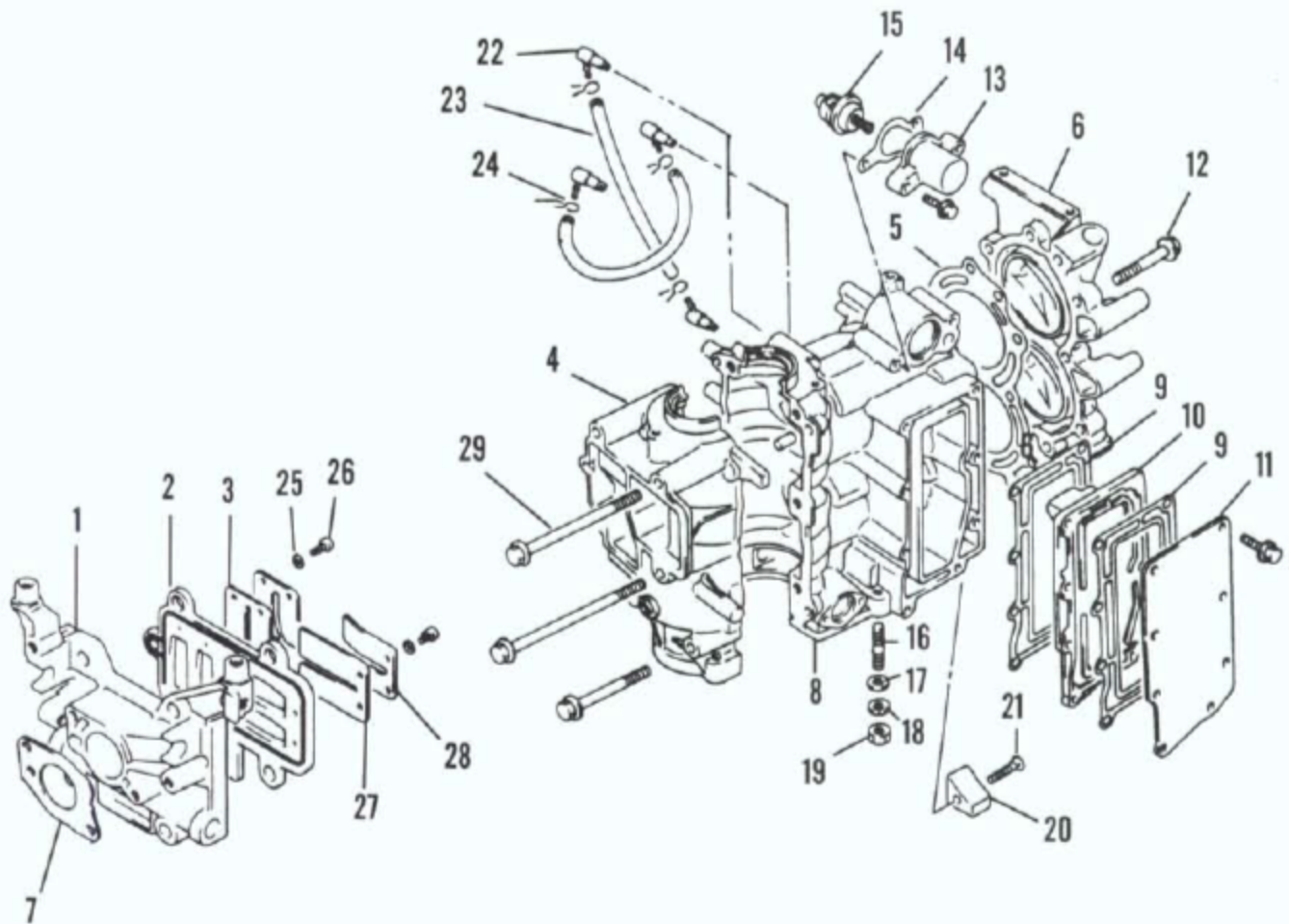


CYLINDER BLOCK, CYLINDER HEAD AND WATER JACKET (MODELS DT8, DT9.9 AND DT15)



- | | |
|---------------------------------|-------------------------|
| 1. Reed housing/intake manifold | 16. Stud |
| 2. Reed housing | 17. Washer |
| 3. Reed valve | 18. Lockwasher |
| 4. Crankcase cover | 19. Nut |
| 5. Head gasket | 20. Anode |
| 6. Cylinder head | 21. Screw |
| 7. Carburetor gasket | 22. Puddle fuel fitting |
| 8. Cylinder block | 23. Hose |
| 9. Gasket | 24. Hose clamp |
| 10. Exhaust cover | 25. Washer |
| 11. Water jacket cover | 26. Screw |
| 12. Bolt | 27. Reed valve |
| 13. Thermostat cover | 28. Reed stop |
| 14. Gasket | 29. Bolt |
| 15. Thermostat | |