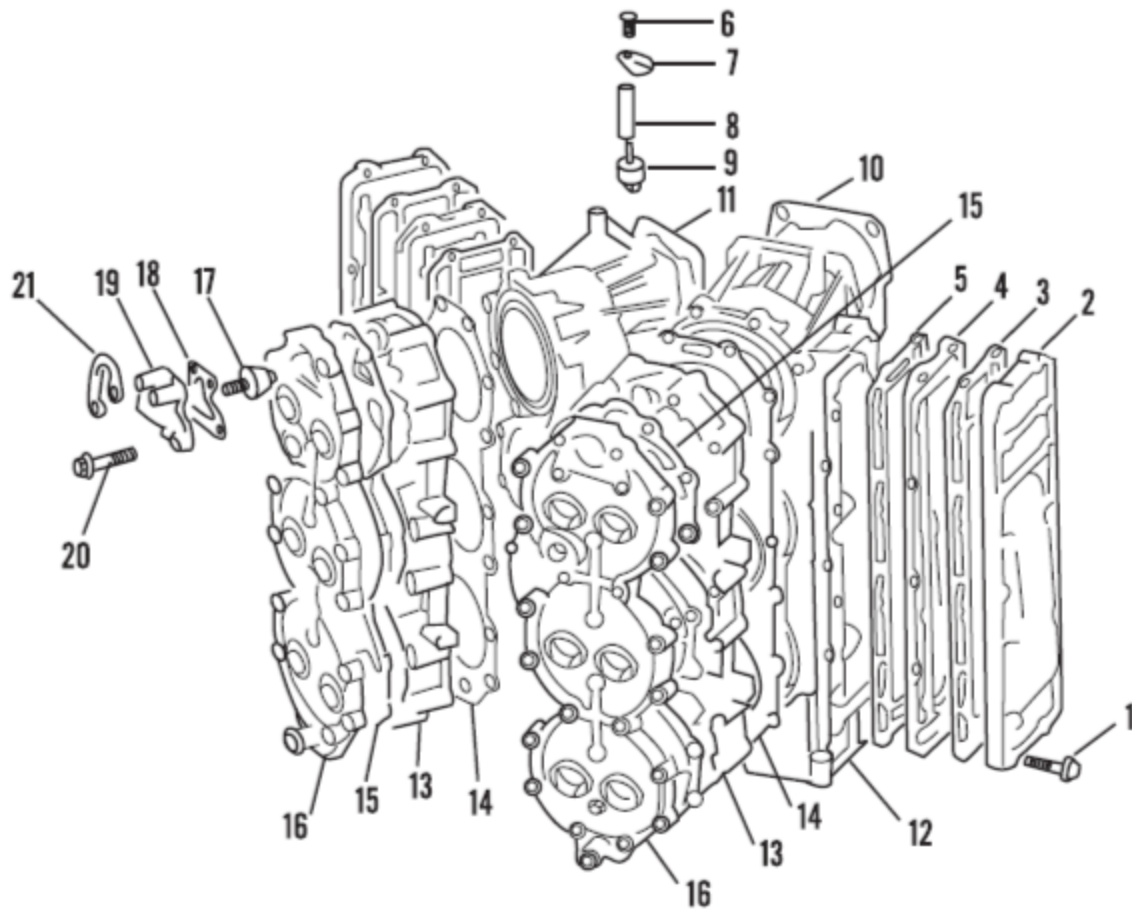


CYLINDER HEAD, WATER JACKET, EXHAUST COVER AND THERMOSTAT (ALL V-6 MODELS)



1. Bolt
2. Exhaust cover
3. Gasket
4. Exhaust plate
5. Gasket
6. Screw
7. Retainer
8. Wire
9. Engine temperature sensor
10. Cylinder block mounting gasket
11. Port side cylinder block
12. Starboard side cylinder block
13. Cylinder head
14. Cylinder head gasket
15. Water jacket gasket
16. Water jacket
17. Thermostat
18. Thermostat cover gasket
19. Thermostat cover
20. Bolt
21. Lifting hook