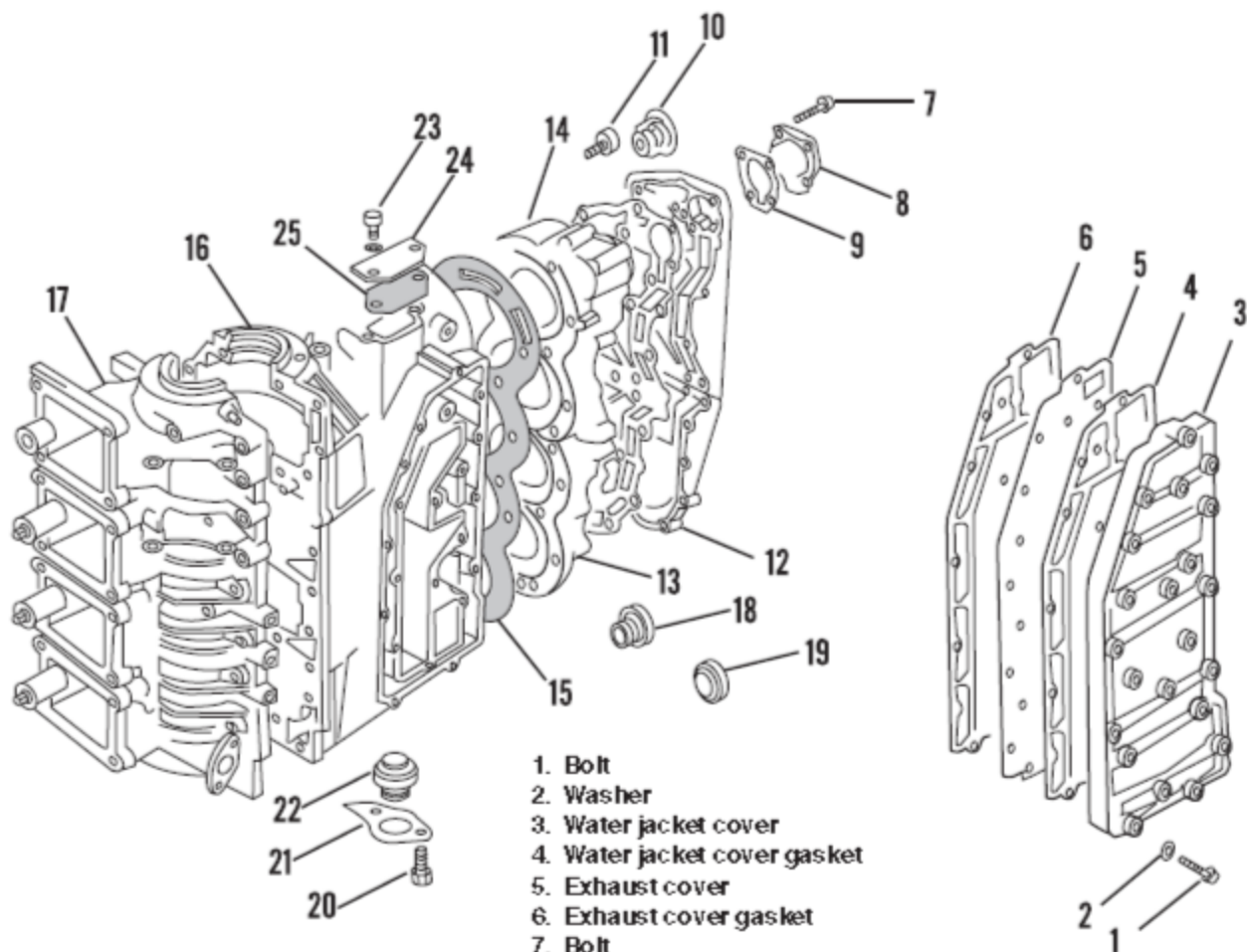


CYLINDER HEAD, WATER JACKET, EXHAUST COVER AND THERMOSTAT (DT115 AND DT140 MODELS)



1. Bolt
2. Washer
3. Water jacket cover
4. Water jacket cover gasket
5. Exhaust cover
6. Exhaust cover gasket
7. Bolt
8. Thermostat cover
9. Thermostat cover gasket
10. Thermostat
11. Anode
12. Water jacket
13. Water jacket gasket
14. Cylinder head
15. Cylinder head gasket
16. Cylinder block
17. Crankcase cover
18. Water pressure relief valve
19. Grommet
20. Bolt
21. Gasket
22. Water pressure relief valve
23. Bolt
24. Cover
25. Gasket